



SERVER

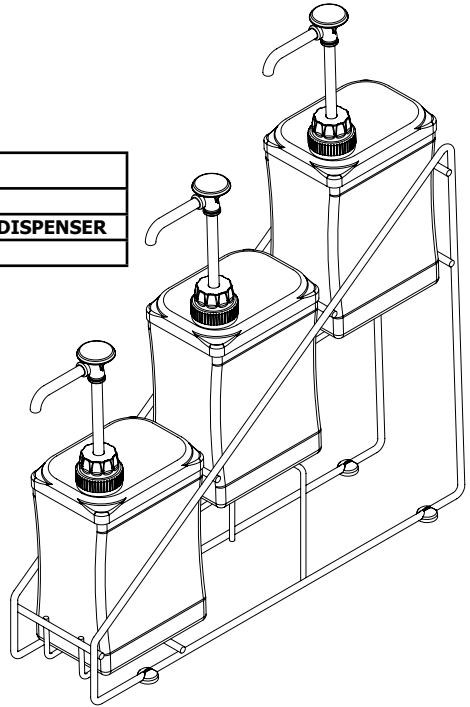
SERVE BETTER™

MODEL:

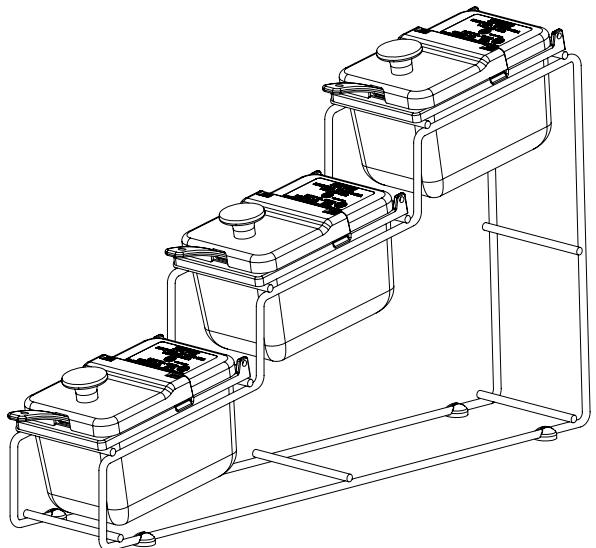
KIT 88572

SMART DISPENSER, BP-1 & RACK

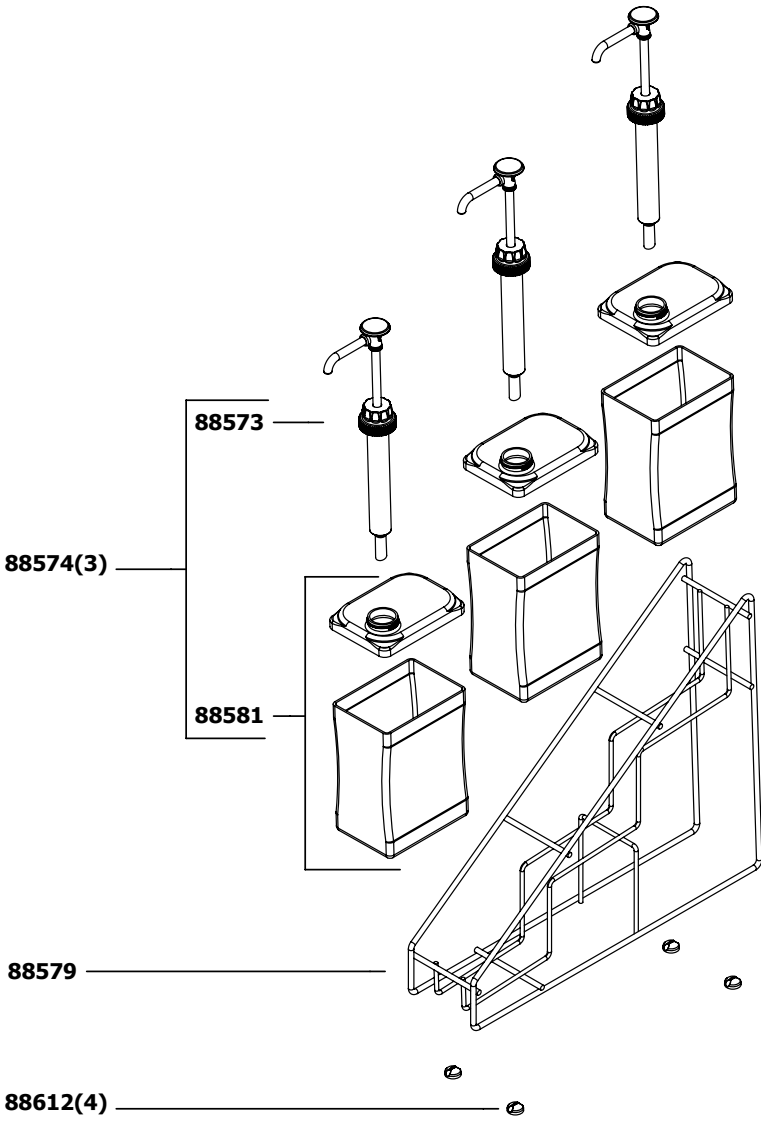
Part	Qty.	Description
88574	3	SMART DISPENSER, BP-1
88579	1	WIRESWISE, 3 TIER, SMART DISPENSER
88612	4	FOOT, WIRE RACK



WW-3-1/9 WIREWISE 3 TIER, 1/9 SIZE JAR COMBO 88711

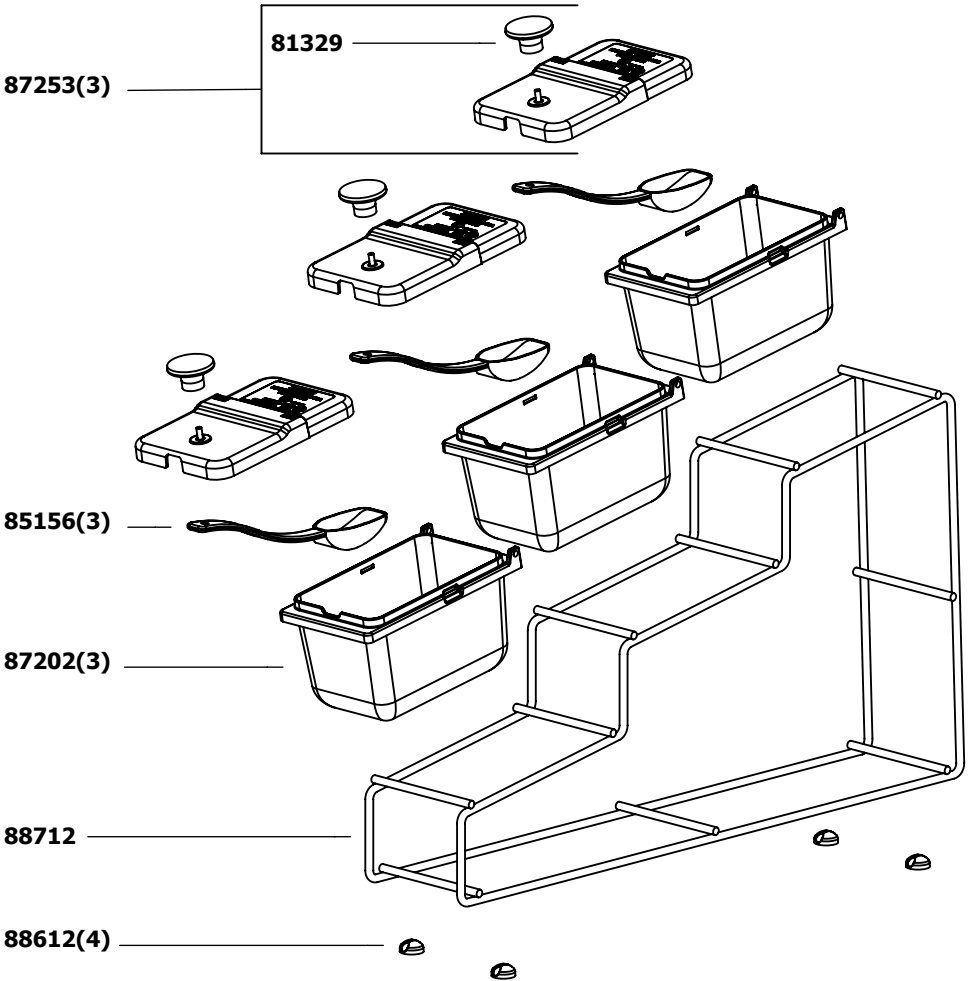


KIT, SMART DISPENSER, BP-1 / RACK
88572



PART	QTY	DESCRIPTION
88574	3	SMART DISPENSER, BP-1
88573	3	BP-1, 38MM, 128 OZ, 10" DEEP
88581	3	SHELL ASSEMBLY, 38MM, SIG
88579	1	WIRESWIRE, 3 TIER, SMART DISPENSER
88612	4	FOOT, WIRE RACK

**WIRESWISE 3 TIER, 1/9 SIZE JAR COMBO
88711**



PART	QTY	DESCRIPTION
85156	3	SPOON, 1/2 OZ
87202	3	JAR, 1/9 SIZE, 3.50" DEEP, BLACK
87253	3	LID ASSEMBLY, PLASTIC, 1/9 SIZE
81329	1	KNOB
88612	4	FOOT, WIRE RACK
88712	1	WIRESWIVE, 3 TIER, 1/9 JARS

GENERAL SERVICE, REPAIR, OR RETURNS

Before sending any item to Server Products for service, repair, or return, contact Server Products customer service to request a **Return Authorization Number**. Merchandise must be sent to Server Products with this number.

Merchandise being returned for credit must be in new and unused condition and not more than 90 days old and will be subject to a 20% (percent) restocking charge. Electrical parts (thermostats, heating elements, etc.) are not returnable.

Server Products maintains a fully staffed service department with highly skilled factory trained personnel. Service is extremely prompt. Under normal circumstances, a repaired unit is shipped out the day after it is received. Labor charges are reasonable.

SERVICE

Contact your dealer or Server Products Inc. customer service department for the following:

ORDERING REPLACEMENT PARTS

Be prepared to give this information:

- Model Letters/Name/Numbers
- Part Numbers- P/N
- Series Numbers/Letters
- Part Description

This information and other important data is stamped on the lid or cylinder of pumps or on the bottom or back side of every unit.

SERVER PRODUCTS LIMITED WARRANTY

All Server Products equipment is backed by a two-year limited warranty against defects in materials and workmanship. For complete warranty information go to: **www.server-products.com**



Server Products Inc.

3601 Pleasant Hill Road
Richfield, WI 53076 USA



262.628.5600



800.558.8722



262.628.5110



spsales@server-products.com



www.server-products.com