

OLD HEATING ELEMENT REMOVAL

- 1 TURN UNIT OFF AND UNPLUG CORD. Allow unit to fully cool if unit has been in operation.
- 2 EMPTY ANY CONTENTS AND/OR WATER FROM VESSEL(S). Remove all accessories from unit.
- 3 REMOVE KNOB GUARD(S).
- 4 REMOVE THERMOSTAT KNOB(S).
- 5 DISASSEMBLE WATER VESSEL(S) FROM SHROUD ENOUGH TO ACCESS WIRING.
 - Place unit on side to remove screws securing shroud or bottom closer to water vessel.
 - Remove rubber feet.
 - Slowly pull vessel away from shroud by tilting shroud until thermostat shaft clears hole provided in shroud.
- 6 CUT WIRE TIES AND DISCONNECT GREEN GROUND LEAD IF NECESSARY TO FURTHER ACCESS INTERNAL WIRING.
- 7 DISCONNECT CORD ASSEMBLY WHITE LEAD FROM TERMINAL BLOCK IF NECESSARY.
- 8 DISCONNECT THERMAL CUTOUT LEAD FROM THERMOSTAT. Heating element can be best accessed when vessel is set upside down on a work surface.
- 9 DISCONNECT HEATING ELEMENT FROM THERMOSTAT AND TERMINAL BLOCK.
- 10 MARK LOCATIONS OF OLD HEATING ELEMENT AND THERMOSTAT BRACKET ON WATER VESSEL FOR ACCURATE REPLACEMENT OF NEW HEATING ELEMENT. See illustration for recommended marking locations.
- 11 REMOVE OLD HEATING ELEMENT, HEAT REFLECTOR AND THERMOSTAT BRACKET FROM WATER VESSEL BY REMOVING BOLT LOCATED AT GAP WHERE TWO ENDS OF HEATING ELEMENT MEET OVER THERMOSTAT BRACKET.

Discard old heating element, but save thermostat bracket with thermostat mounted to it. Discard heat reflector band if unit has one installed, it is no longer required.

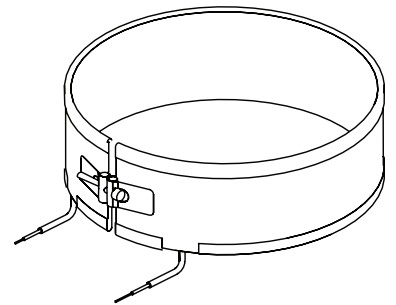


S E R V E R

120 Volt
4 Quart Vessel
Heating Element
Replacement Kit

Stock Number 85912

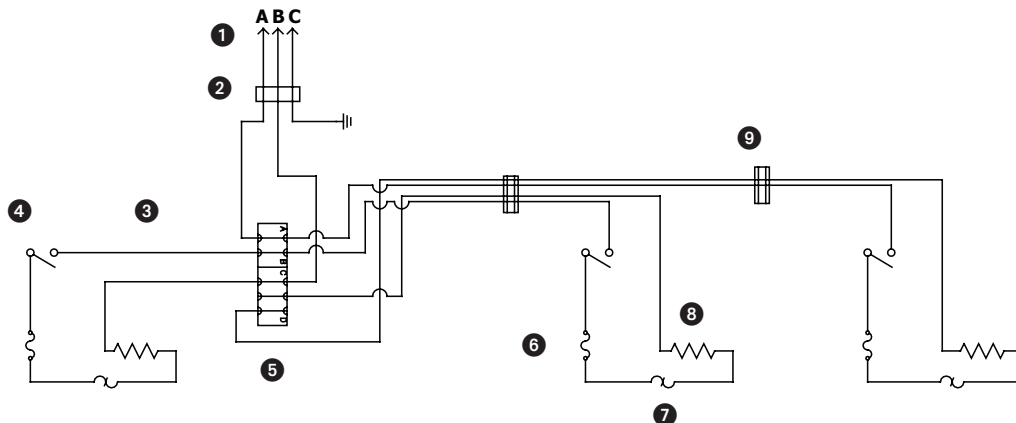
Kit includes Heating Element #
85906 for All Series of
Triple FS-4



WIRING DIAGRAM

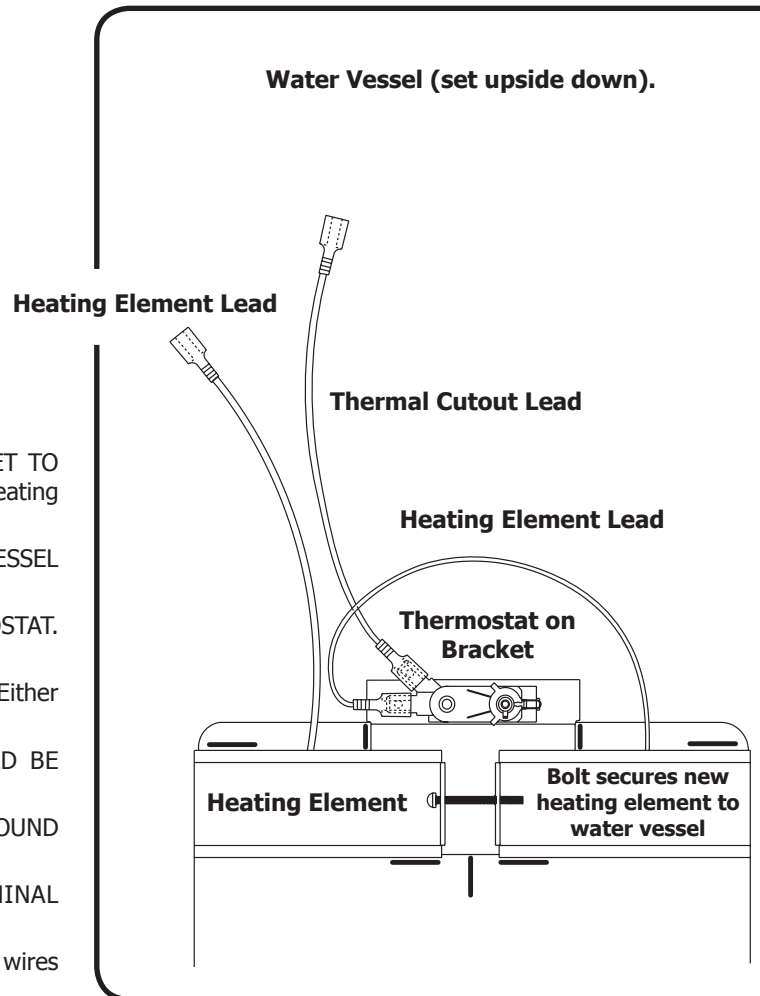
- 1 Cord Assembly
 - A Black
 - B White
 - C Green (Ground Wire)
- 2 Bushing, Strain Relief Rt. Angle
- 3 Wire Assy 18 Ga
- 4 Lighted Rocker Switch
- 5 Terminal Block
- 6 Thermal Cut-Out Assembly
- 7 Thermostat
- 8 Heating Element
- 9 Bushing-9/16 Hole

WIRING DIAGRAM



NEW HEATING ELEMENT INSTALLATION

- 1 SET WATER VESSEL UPSIDE DOWN ON WORK SURFACE.
- 2 INSTALL NEW HEATING ELEMENT AND THERMOSTAT BRACKET, with thermostat mounted to it, onto base of water vessel.
 - Align these parts according to marking made previously during old heating element removal procedure.
 - Place heating element onto base of water vessel with lead wires pointing towards bottom of water vessel.
 - Position heating element to wrap evenly around base of water vessel, just below radius on bottom edge of water vessel. This will allow heating element to be in consistent contact with circumference of water vessel for optimum unit operation.
 - Position thermostat bracket, with thermostat mounted to it, between water vessel and heating element. Center thermostat bracket behind gap between two ends of heating element.
- 3 SECURE HEATING ELEMENT AND THERMOSTAT BRACKET TO WATER VESSEL. Tighten bolt between gap of two ends of heating element.
- 4 BEGIN CONNECTING LEADS AND INSTALLING WATER VESSEL INTO SHROUD.
- 5 CONNECT HEATING ELEMENT SHORT LEAD TO THERMOSTAT. Either thermostat terminal is acceptable.
- 6 CONNECT THERMAL CUTOUT LEAD TO THERMOSTAT. Either thermostat terminal is acceptable.
- 7 OPPOSITE END OF THERMAL CUTOUT LEAD SHOULD BE CONNECTED TO ROCKER SWITCH.
- 8 CONNECT GREEN GROUND LEAD WITH SCREW TO GROUND HOLE INSIDE SHROUD.
- 9 CONNECT HEATING ELEMENT LONG LEAD TO TERMINAL BLOCK.
- 10 GATHER AND SECURE ALL WIRES WITH WIRE TIE. Bundle wires to prevent them from touching heating element.
- 11 INSTALL WATER VESSEL BACK INTO SHROUD.
 - Tilt water vessel while slowly sliding and aligning it into shroud.
 - Align thermostat shaft into hole provided in shroud.
- 12 SECURE WATER VESSEL TO SHROUD.
Reattach Rubber Feet to secure bottom closer to shroud.
- 13 INSTALL THERMOSTAT KNOB ONTO THERMOSTAT SHAFT by aligning knob onto spline on shaft and pushing knob onto shaft. Re-install knob guards.



S E R V E R



Server Products Inc.
3601 Pleasant Hill Road
Richfield, WI 53076 USA



(262) 628-5600



(800) 558-8722



(262) 628-5110



spsales@server-products.com



www.server-products.com