



# SERVER

## Stir Bar Kit

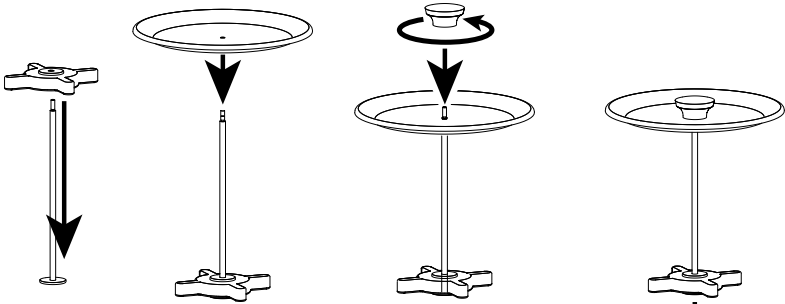
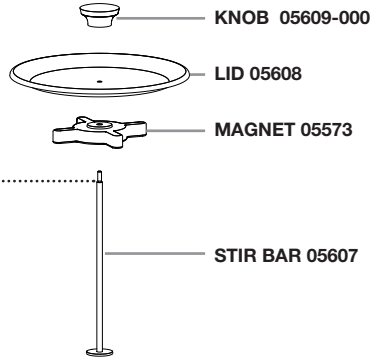
### 05611

for use with Mix-N-Serve™  
Red Lobster units

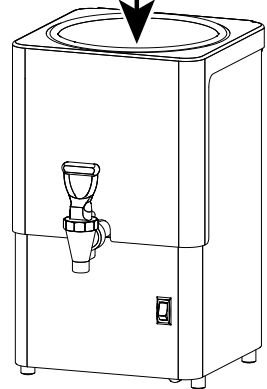
#### NOTE:

*Stir Bar has left hand threads.  
Turn Knob clockwise to remove.*

*Wash all parts properly before use.*



- 1 SLIDE MAGNET**  
onto Stir Bar.
- 2 ADD LID**  
onto Stir Bar.
- 3 ADD KNOB**  
over Lid.  
*Turn knob counterclockwise to secure.*
- 4 PLACE**  
into Vessel.



### Server Products Inc.

3601 Pleasant Hill Road  
Richfield, WI 53076 USA



262.628.5600 | 800.558.8722



SPSALES@SERVER-PRODUCTS.COM

WWW.SERVER-PRODUCTS.COM

Manual #01665-RevB 050418