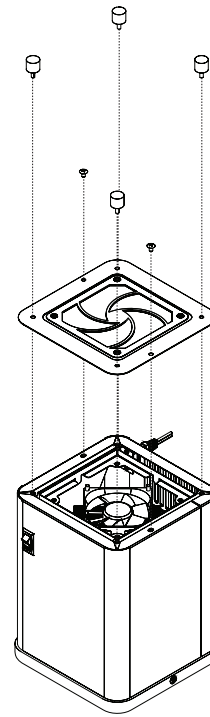


LIGHTED ROCKER SWITCH REPLACEMENT

- 1 TURN UNIT OFF AND UNPLUG CORD.
- 2 EMPTY ANY CONTENTS FROM VESSEL.
- 3 TURN UNIT UPSIDE DOWN.
- 4 TAKE OFF BOTTOM PANEL, by removing four feet and two screws.
- 5 USING SIDE CUTTERS, cut the tabs on the bottom of the switch, and remove switch.
- 6 PUSH NEW SWITCH securely into place.
Note: Install switch with terminals 1A and 2A nearest the bottom.
- 7 CONNECT WIRING as shown in diagram.
- 8 ATTACH BOTTOM PANEL, with four feet and two screws.



S E R V E R

Chiller Replacement Lighted Switch Kit

Part No. 86145

For use on Chiller

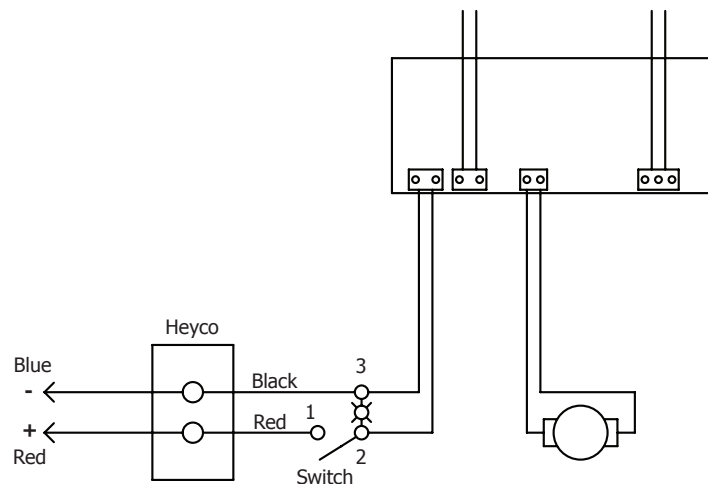
Part No. 86063, 86065 and 86070

KIT INCLUDES

PART#	DESCRIPTION
86032	Switch, Lighted Rocker 12V

WIRING DIAGRAMS

For use on series 07L only
Discard old lighted rocker switch.



Install new switch with terminals
1A and 2A nearest the bottom,
terminal 2 is not used on the new switch.

