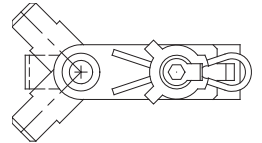




## SERVER Thermostat Replacement Kit

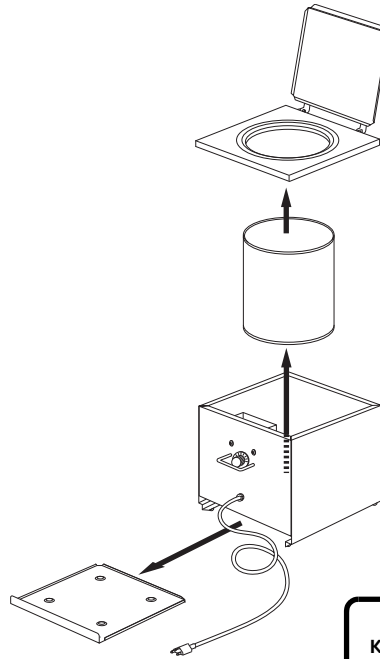
Stock No. 55053

This kit includes thermostat 92053

(For Dip Servers  
Series 81 to present)

### OLD THERMOSTAT REMOVAL

- 1 TURN UNIT OFF AND UNPLUG CORD.  
Allow unit to fully cool if unit has been in operation.
- 2 REMOVE ANY ACCESSORIES, PRODUCT TIN(S), TOP, AND LID ASSEMBLIES FROM UNIT.
- 3 REMOVE REMOVABLE BOTTOM FROM UNIT BY SLIDING OUT.
- 4 IF INCLUDED WITH UNIT, REMOVE KNOB GUARD.
  - Insert screwdriver through the two holes on outside surface of wire guard and unscrew the two phillips head screws securing knob guard to shroud inside wire guard.
  - Save these two phillips head screws.
- 5 REMOVE THERMOSTAT KNOB.  
(Pointer type knobs have a setscrew that will need to be unscrewed)
  - Save thermostat knob.
- 6 DISASSEMBLE WIRE GUARD FROM INSIDE OF SHROUD ENOUGH TO ACCESS THERMOSTAT.
  - Unscrew the two screws (or two cap nuts) on front of shroud.
  - Save these two screws (or two cap nuts).
  - Wire guard will remain attached where the two ends of heating element meet inside lower portion of wire guard, but wire guard will be able to swing away from inside of shroud.
  - Swing wire guard away from inside shroud and downwards until it is nearly parallel with heating element.
- 7 DISCONNECT CORD ASSEMBLY BLACK OR BROWN LEAD FROM THERMOSTAT TERMINAL.
- 8 DISCONNECT HEATING ELEMENT BLACK LEAD FROM THERMOSTAT TERMINAL.
- 9 REMOVE OLD THERMOSTAT AND DISCARD.
  - Unscrew screw from middle of thermostat and remove nut from wire guard.
  - Save this screw and nut for new thermostat installation.



#### Kit Includes:

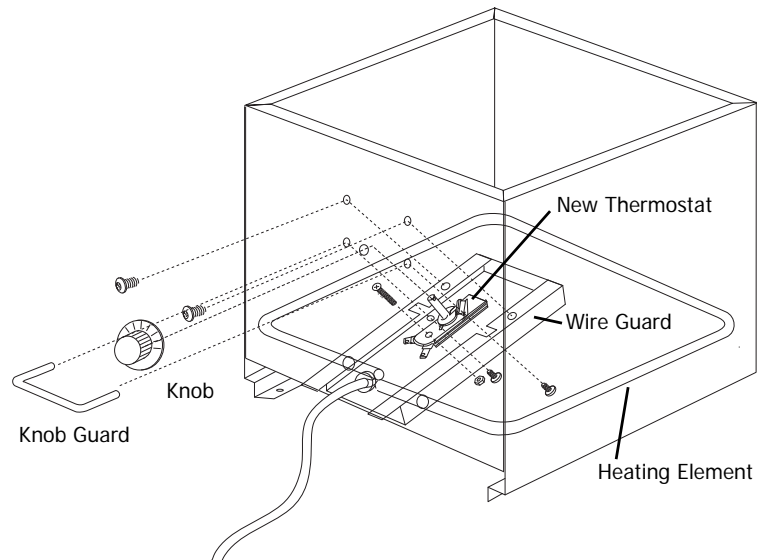
PART#	QTY.	DESCRIPTION
92053	1	Thermostat

### NEW THERMOSTAT INSTALLATION

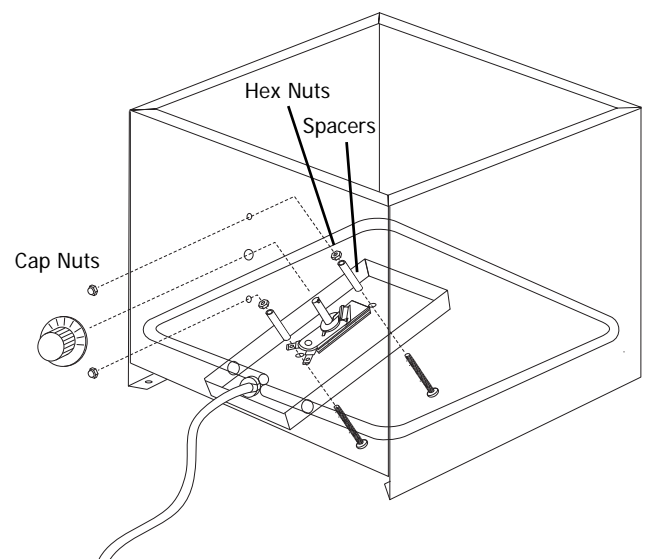
See **WIRING DIAGRAM** on opposite page.

- 1 POSITION NEW THERMOSTAT, WITH TERMINALS POINTING DOWNWARD TOWARDS HEATING ELEMENT.
  - 2 SECURE NEW THERMOSTAT TO INSIDE OF WIRE GUARD.
    - Screw in screw (screw saved in step #9 of Old Thermostat Removal) through middle of thermostat while tightening nut (nut saved in step #9 of Old Thermostat Removal) onto wire guard.
  - 3 CONNECT BLACK OR BROWN LEAD FROM CORD ASSEMBLY TO EITHER THERMOSTAT TERMINAL.
  - 4 CONNECT LEAD FROM HEATING ELEMENT TO REMAINING THERMOSTAT TERMINAL.
  - 5 REPLACE WIRE GUARD BACK TO ORIGINAL POSITION AND ALIGN THERMOSTAT SHAFT THROUGH HOLE PROVIDED IN SHROUD.
    - If included with unit, do not install knob guard yet, calibration must be done first.
  - 6 **FOR UNITS SERIES 96H TO PRESENT-**  
SECURE WIRE GUARD TO INSIDE OF SHROUD BY ALIGNING THE TWO HOLES IN WIRE GUARD WITH TWO HOLES IN FRONT OF SHROUD.
    - Install the two screws (screws saved in step #6 of Old Thermostat Removal) through outside of shroud into wire guard.
    - Only tighten these two screws until snug, do not overtighten or screws will strip.
- OR
- FOR UNITS SERIES 81 THRU 96H-**  
SECURE WIRE GUARD TO INSIDE OF SHROUD BY ALIGNING THE TWO SCREWS, EACH WITH SPACERS AND HEX NUTS, THROUGH HOLES IN SHROUD.
- Install and hand tighten the two cap nuts on outside of shroud to secure the two screws with hex nuts and spacers in place.
- 7 MAKE SURE NO WIRES ARE PINCHED BETWEEN WIRE GUARD AND SHROUD WHILE SECURING WIRE GUARD.
  - 8 INSTALL THERMOSTAT KNOB ONTO THERMOSTAT SHAFT BY ALIGNING KNOB ONTO SPLINE ON SHAFT AND PUSHING KNOB ONTO SHAFT.
  - 9 INSTALL REMOVABLE BOTTOM INTO SHROUD BY SLIDING IT INTO BOTTOM OF SHROUD.

#### Dip Server Shroud Series 96H to present



#### Dip Server Shroud Series 81 thru 96H



# WIRING DIAGRAMS

1 Cord Assembly

<b>120V/60Hz</b>	<b>OR</b>	<b>230V/50Hz</b>
<b>A</b> Black		<b>D</b> Brown
<b>B</b> White		<b>E</b> Blue
<b>C</b> Green (Ground Wire)		<b>F</b> Yellow/Green

2 Bushing/Strain Relief

3 Thermostat

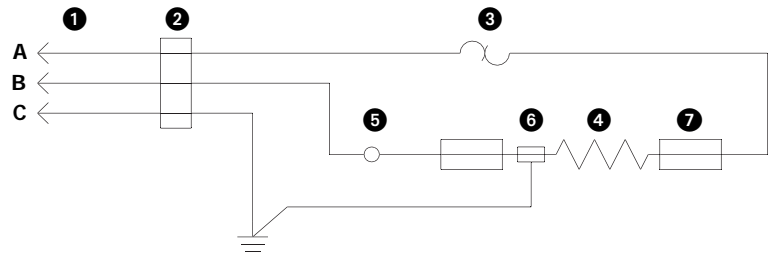
4 Heating Element

5 Wire Nut

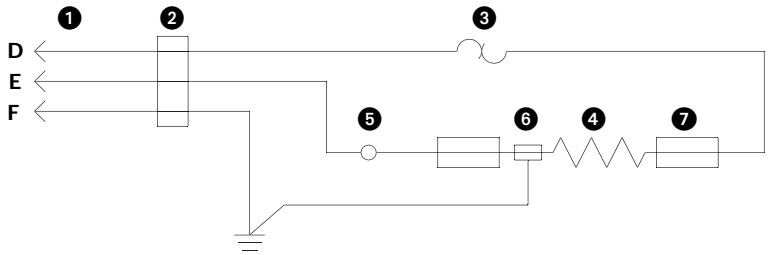
6 Ground Clamp

7 Insulation

120V/60Hz



230V/50Hz



**S E R V E R**



Server Products Inc.  
3601 Pleasant Hill Road  
Richfield, WI 53076  
USA



(262) 628-5600



(800) 558-8722



(262) 628-5110



spsales@server-products.com



www.server-products.com