

SERVER

Thermostat Replacement Kit

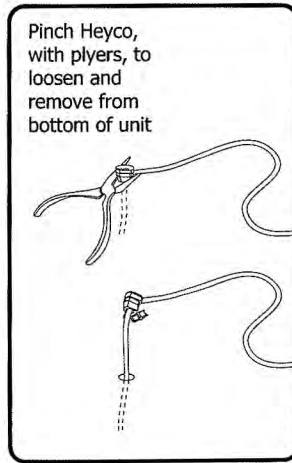
Stock No. 55266
This kit includes thermostat 82266



For #06030
Butter Server-United Artists
(OD) Units
All Series

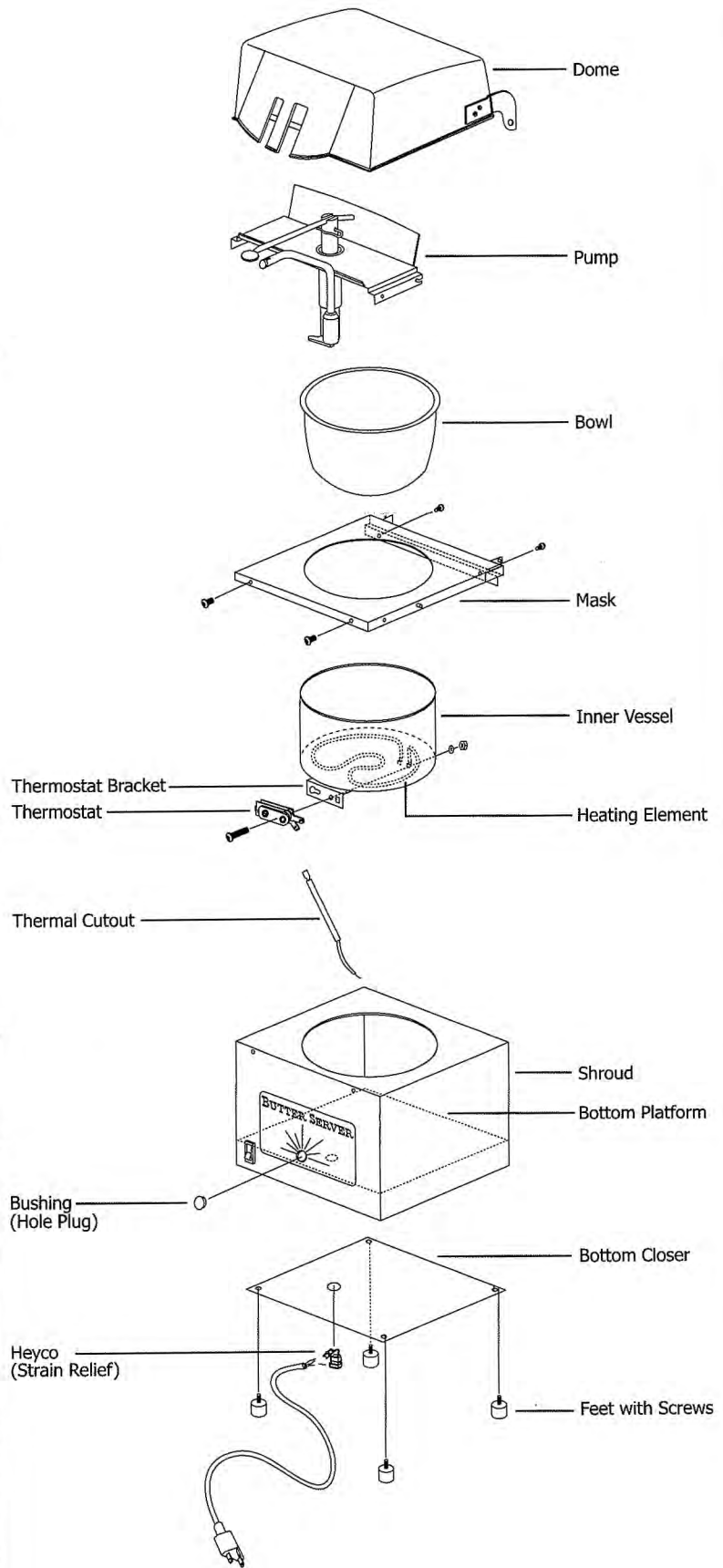
OLD THERMOSTAT REMOVAL FOR BS-UA(OD) UNITS

- 1 TURN UNIT OFF AND UNPLUG CORD. Allow unit to fully cool if unit has been in operation.
- 2 REMOVE DOME, PUMP AND BOWL FROM UNIT.
- 3 REMOVE PICTURE ASSEMBLY BY REMOVING THE TWO 1/4 TURN STUDS (BLACK PLASTIC SCREWS) SECURING IT TO THE SHROUD. Slide the picture down and out of the shroud.
- 4 REMOVE MASK BY REMOVING THE SCREWS WHICH SECURE IT TO THE SHROUD. There are two screws on the switch side of the shroud and two screws where the picture was removed from the shroud.
- 5 LOOSEN HEYCO (STRAIN RELIEF) FROM CORD AND BOTTOM OF UNIT.
- 6 REMOVE BOTTOM CLOSER FROM SHROUD BY UNSCREWING THE FOUR RUBBER FEET.
- 7 DISCONNECT THERMAL CUTOUT LEAD FROM THE THERMOSTAT THROUGH THE HOLE IN THE BOTTOM PLATFORM. Cut wire ties if necessary to further access the internal wiring. See WIRING DIAGRAM below.
- 8 REMOVE INNER VESSEL FROM SHROUD TO FURTHER ACCESS THERMOSTAT.
- 9 DISCONNECT HEATING ELEMENT LEAD FROM THERMOSTAT. See WIRING DIAGRAM below.
- 10 REMOVE OLD THERMOSTAT by removing the screw, lockwasher, and nut securing the thermostat to the thermostat bracket. Discard old thermostat, but save the screw, nut, and lockwasher for installing the new thermostat.



NEW THERMOSTAT INSTALLATION FOR BS-UA(OD) UNITS

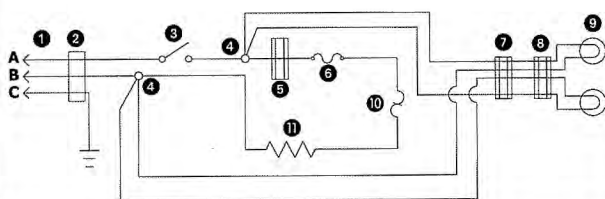
- 1 POSITION NEW THERMOSTAT ONTO THERMOSTAT BRACKET AND SECURE to thermostat bracket with screw, lockwasher, and nut. Make sure the lockwasher is under the nut.
- 2 CONNECT HEATING ELEMENT LEAD TO THERMOSTAT STRAIGHT TERMINAL. See WIRING DIAGRAM below.
- 3 INSTALL INNER VESSEL INTO SHROUD.
- 4 CONNECT THERMAL CUTOUT LEAD TO THERMOSTAT ANGLED TERMINAL. See WIRING DIAGRAM below.
- 5 INSTALL MASK WITH THE SCREWS WHICH SECURE IT TO THE SHROUD. There are two screws on the switch side of the shroud and two screws where the picture was removed from the shroud.
- 6 INSTALL BOTTOM CLOSER ONTO SHROUD AND SECURE BY INSTALLING THE FOUR RUBBER FEET. Then set unit upright onto it's feet.
- 7 INSTALL PICTURE ASSEMBLY WITH THE TWO 1/4 TURN STUDS (BLACK PLASTIC SCREWS) WHICH SECURE IT TO THE SHROUD. Slide the picture up and into the shroud.
- 8 INSTALL BOWL, PUMP, AND DOME INTO/ONTO UNIT.
- 9 REMOVE BUSHING (HOLE PLUG) FROM SHROUD TO ACCESS THE CALIBRATION SCREW FOR THE CALIBRATION PROCEDURE.
- 10 PLUG UNIT INTO POWER SOURCE.
- 11 CALIBRATE THERMOSTAT per calibration instructions on opposite page.



Kit #55266 Includes:

Part#	Qty.	Description
82266	1	Thermostat

WIRING DIAGRAM



- | | |
|--|-----------------------------|
| 1 Cord Assembly:
120V/60Hz
A Black
B White
C Green (Ground Wire) | 5 Snap Bushing 9/16 |
| 2 Heyco, Right Angle | 6 Thermal Cut-Out |
| 3 Switch, Snap-In Rocker | 7 Deklip |
| 4 Wire Nut | 8 Shorty Bushing 3/4 |
| | 9 Light Socket Bayonet Base |
| | 10 Thermostat |
| | 11 Heating Element |

BSA-US (OD)

This Butter Server-United Artists (OD) #06030 unit is intended to maintain a temperature of 110°F for best product serving temperature.

CALIBRATION PROCEDURE

- 1 PLACE A COVER OVER THE BOWL OF THE UNIT AND INSERT A DIAL THERMOMETER THROUGH A HOLE IN THE COVER.**
- 2 TURN UNIT ON AND ALLOW UNIT TO HEAT UP TO A MINIMUM OF 120°F (48.9°C).**

This is the lowest temperature the thermostat needs to "open" at, which is equal to turning the heating element "off".

Note: It might take as long as one and one-half hour to reach 120°F after the unit has been plugged into a power outlet.

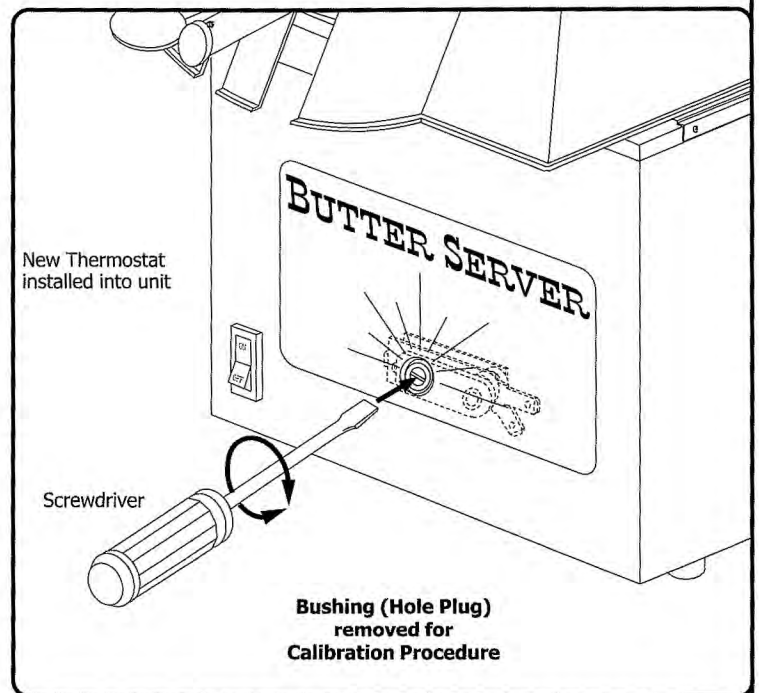
 - If the temperature does not reach 120°F, then rotate the calibration screw 1/4 turn COUNTERCLOCKWISE, using a screwdriver. This will "close" the thermostat and increase the temperature of the heating element.
 - If the temperature still does not reach 120°F, then repeat the 1/4 turn of the calibration screw, until the temperature reaches 120°F.
- 3 WHEN THE TEMPERATURE REACHES 120°F,** rotate the calibration screw two full turns COUNTERCLOCKWISE. This will "open" the thermostat completely, which is equal to turning the thermostat "off" to decrease the temperature of the heating element.
- 4 ALLOW APPLIANCE TO COOL TO 110°F (43.3°C)**
 - If unit does not cool to 110°F, then rotate the calibration screw two full turns COUNTERCLOCKWISE. This will "open" the thermostat and decrease the temperature of the heating element.
- 5 WHEN THE TEMPERATURE REACHES 110°F,** rotate the calibration screw two full turns COUNTERCLOCKWISE, or until a soft audible click is heard. This will "close" the thermostat completely, which is equal to turning the heating element "on".
- 6 CHECK CALIBRATION SETTING**
 - Unplug and re-plug unit into power outlet.
 - If the unit does not heat up to 120°F within about one and one-half hour, then repeat the entire calibration procedure.
- 7 RETURN UNIT TO SERVICE WHEN THE UNIT HOLDS A STABLE TEMPERATURE AROUND 110°F** after unit has been plugged into a power outlet for about one and one-half hour.
- 8 INSTALL BUSHING (HOLE PLUG) INTO SHROUD TO COVER THE CALIBRATION SCREW AFTER CALIBRATION PROCEDURE IS COMPLETE.**

Factory-Installed thermostats are sealed after calibration with Loctite or similar bonding material.

Do not attempt to calibrate a Factory-Installed thermostat.

TOOLS NEEDED FOR CALIBRATION PROCEDURE:

- Screwdriver, Straight Blade
 - not included in thermostat kit
- Stem Type Dial Thermometer to measure temperatures from 90° to 170°F (32.2°-76.7°C)
 - not included in thermostat kit
- A cover to contain heat within unit. Make a hole in the cover to hold the Dial Thermometer
 - not included in thermostat kit



Rotate calibration screw, using screwdriver, **CLOCKWISE TO DECREASE** the operating temperature of the unit.

Rotate calibration screw, using screwdriver, **COUNTERCLOCKWISE TO INCREASE** the operating temperature of the unit.

Server Products Inc.

3601 Pleasant Hill Road
Richfield, WI 53076 USA



262.628.5600 | 800.558.8722



SPSALES@SERVER-PRODUCTS.com

www.SERVER-PRODUCTS.com

