

OLD THERMOSTAT REMOVAL FOR FS-20SS UNIT

- 1 TURN UNIT OFF AND UNPLUG CORD. Allow unit to fully cool if unit has been in operation.
- 2 TURN UNIT OVER TO REST ON UNIT TOP.
- 3 UNSCREW FEET AND SCREW FASTENERS (FOUR EACH) TO REMOVE BOTTOM CLOSER.
- 4 REMOVE THERMOSTAT KNOB.
- 5 LOCATE THERMOSTAT AND DISCONNECT WIRE LEADS FROM TERMINAL ONE AND TWO ON THE THERMOSTAT. Clip wire ties to free old thermostat capillary tube.
- 6 SLIDE CAPILLARY BULB FREE OF BRACKET.
- 7 REMOVE TWO SCREWS ON FRONT OF UNIT AND SET ASIDE. They are located above and below thermostat knob shaft.
- 8 REMOVE OLD THERMOSTAT FROM UNIT.

NEW THERMOSTAT INSTALLATION FOR FS-20SS UNIT

- 1 GENTLY UNWIND CAPILLARY TUBE OF NEW THERMOSTAT ASSEMBLY.

Caution: Kinking or making extreme bends in capillary tube could damage thermostat.

- 2 POSITION THERMOSTAT WITH SHAFT TOWARDS FRONT OF UNIT AND TERMINALS TOWARD CENTER OF UNIT.

- 3 RECONNECT WIRE LEADS TO THERMOSTAT TERMINALS.

- Connect long double wire lead to terminal # 1.
- Connect short insulated lead to terminal # 2.

Note: Make sure there is insulation on the shorter single lead coming off the heating element. If original heating element did not provide insulation, new thermostat kit includes proper insulation at necessary length to slide over and cover lead. Failure to insulate lead could cause new thermostat to short.

- 4 ATTACH NEW THERMOSTAT TO FRONT OF UNIT WITH TWO SCREWS LOCATED ABOVE AND BELOW THERMOSTAT KNOB SHAFT.

- 5 SLIDE CAPILLARY BULB INTO BRACKET.

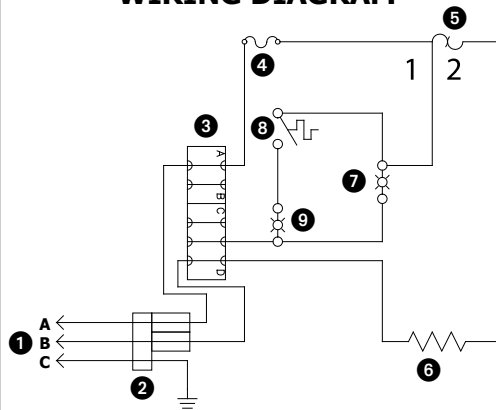
- 6 ASSEMBLE BOTTOM CLOSER BACK ONTO UNIT WITH UL™ LABEL AT REAR OF UNIT. Attach and tighten screw fasteners and feet.

- 7 SET UNIT UPRIGHT ON FEET.

- 8 INSTALL THERMOSTAT KNOB ONTO SHAFT.

- 9 PLUG UNIT INTO POWER SOURCE AND VERIFY THAT UNIT IS WORKING PROPERLY.

WIRING DIAGRAM



- 1 Cord Assembly 120V/60Hz
 - A Black
 - B White
 - C Green (Ground Wire)
- 2 Strain Relief
- 3 Terminal Block
- 4 Thermal Cutout
- 5 Thermostat
- 6 Heating Element
- 7 Red Lamp
- 8 Temperature Limit Sensor
- 9 Amber Lamp

01590-REVA-022712

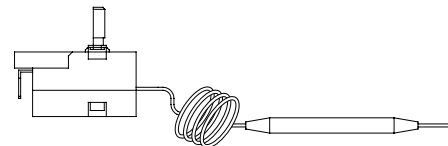


SERVER

THERMOSTAT REPLACEMENT KIT STOCK NO. 90018

This kit includes:

Thermostat **90186** and Size 3 Insulation **11131**



For # **90020**
SERVER SUPREME - FS-20SS

