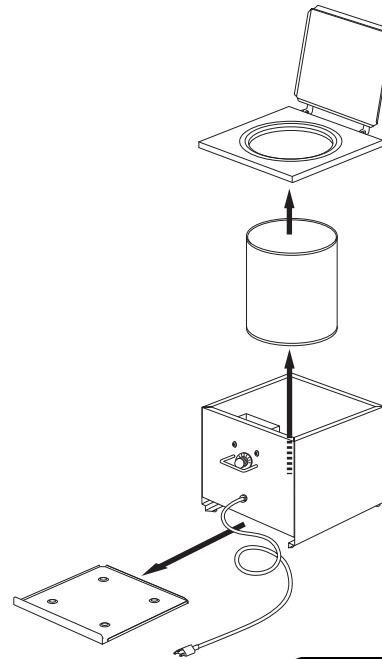


OLD THERMOSTAT REMOVAL

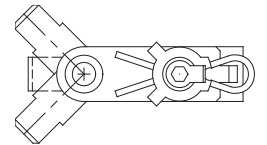
- 1 TURN UNIT OFF AND UNPLUG CORD.
Allow unit to fully cool if unit has been in operation.
- 2 REMOVE ANY ACCESSORIES, PRODUCT TIN(S), TOP, AND LID ASSEMBLIES FROM UNIT.
- 3 REMOVE REMOVABLE BOTTOM FROM UNIT BY SLIDING OUT.
- 4 REMOVE AND DISCARD THERMOSTAT KNOB.
(Pointer type knobs have a setscrew that will need to be unscrewed)
- 5 DISASSEMBLE WIRE GUARD FROM INSIDE OF SHROUD ENOUGH TO ACCESS THERMOSTAT.
 - Unscrew and save the two cap nuts on front of shroud.
 - Wire guard will remain attached where the two ends of heating element meet inside lower portion of wire guard, but wire guard will be able to swing away from inside of shroud.
 - Swing wire guard away from inside shroud and downwards until it is nearly parallel with heating element.
- 6 DISCONNECT CORD ASSEMBLY BLACK OR BROWN LEAD FROM THERMOSTAT.
- 7 DISCONNECT HEATING ELEMENT BLACK LEAD FROM THERMOSTAT.
 - When unscrewing the above leads, a small capacitor will also be disconnected. Remove and discard this capacitor, it is not needed with the new thermostat.
- 8 REMOVE OLD THERMOSTAT AND DISCARD.
 - Remove the two hex nuts, two spacers, and two screws securing thermostat to inside of wire guard. Discard these old screws and spacers.
 - Save the two hex nuts for new thermostat installation.



SERVER

**Thermostat
Replacement Kit**
 Stock No. 92060

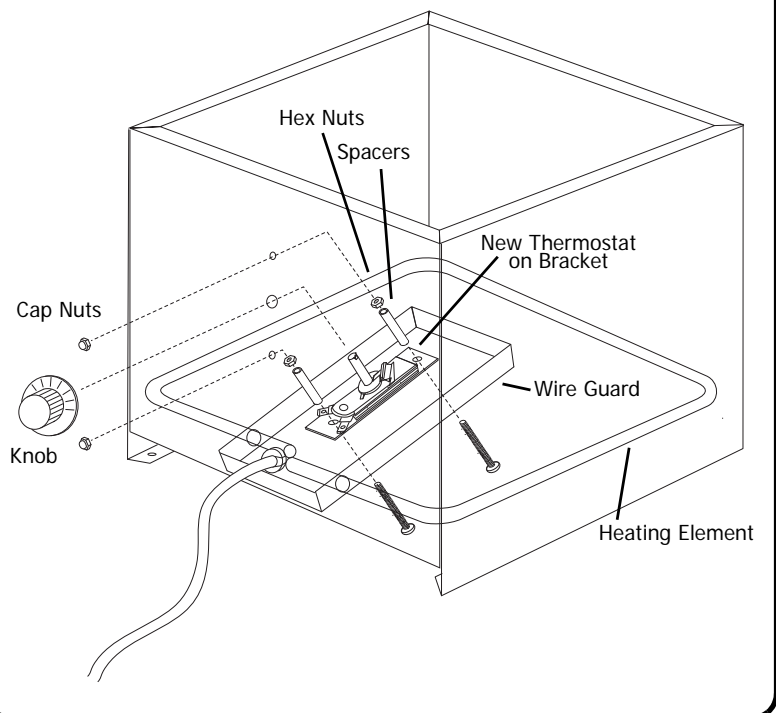
This kit includes thermostat 92053

(For Dip Servers
Series prior to 81)**Kit Includes**

PART#	QTY.	DESCRIPTION
92053	1	Thermostat
10008	2	Screw, 6-32 X 1 1/4, Phillips Head
11170	2	Wire Nut
92056	2	Spacer, Wire Guard (OR)
92057	1	Thermostat Knob

NEW THERMOSTAT INSTALLATIONSee **WIRING DIAGRAM**.

- 1 CUT RING TERMINALS OFF OF CORD ASSEMBLY BLACK OR BROWN LEAD AND HEATING ELEMENT BLACK LEAD.
 - Strip ends of these two leads by removing about 1/2" of insulation which they are wrapped in.
- 2 CONNECT STRIPPED END OF ONE OF THE 3" BLACK WIRE EXTENSIONS, PROVIDED IN KIT, TO STRIPPED END OF CORD ASSEMBLY BLACK OR BROWN LEAD USING ONE OF THE WIRE NUTS PROVIDED IN KIT.
- 3 CONNECT STRIPPED END OF OTHER 3" BLACK WIRE EXTENSION, PROVIDED IN KIT, TO STRIPPED END OF HEATING ELEMENT BLACK LEAD USING THE OTHER WIRE NUT PROVIDED IN KIT.
- 4 POSITION NEW THERMOSTAT, WITH TERMINALS POINTING DOWNWARD TOWARDS HEATING ELEMENT.
- 5 SECURE NEW THERMOSTAT TO INSIDE OF WIRE GUARD.
 - Install the two 6-32 x 1 1/4 screws, provided in kit, through holes from outside of wire guard. Then align new thermostat for these screws to go through the holes in the thermostat bracket.
- 6 INSTALL THE TWO SPACERS, PROVIDED IN KIT, ONTO THE TWO 6-32 x 1 1/4 SCREWS, AND SECURE WITH THE TWO HEX NUTS WHICH WERE SAVED IN STEP #8 OF OLD THERMOSTAT REMOVAL.
- 7 CONNECT BLACK OR BROWN LEAD TO THERMOSTAT TERMINALS.
 - Leads may be connected to either thermostat terminal.
- 8 REPLACE WIRE GUARD BACK TO ORIGINAL POSITION AND ALIGN THERMOSTAT SHAFT THROUGH HOLE PROVIDED IN SHROUD.
- 9 SECURE WIRE GUARD TO INSIDE OF SHROUD.
 - Align the two 6-32 x 1 1/4 screws through holes in shroud and install and hand tighten the two cap nuts.
 - Make sure no wires are pinched between wire guard and shroud while securing wire guard.
- 10 INSTALL THERMOSTAT KNOB ONTO THERMOSTAT SHAFT.
 - Align knob onto spline on shaft and push knob onto shaft.
- 11 INSTALL REMOVABLE BOTTOM INTO SHROUD.
 - Slide removable bottom into bottom of shroud.

**Dip Server Shroud
Series prior to 81**


SERVER


 Server Products Inc.
 3601 Pleasant Hill Road
 Richfield, WI 53076 USA


(262) 628-5600



(800) 558-8722



(262) 628-5110



spsales@server-products.com



www.server-products.com

WIRING DIAGRAM

- 1 Cord Assembly
120V/60Hz
A Black
B White
C Green (Ground Wire)
- 2 Bushing/Strain Relief
- 3 Thermostat
- 4 Heating Element
- 5 Wire Nut

