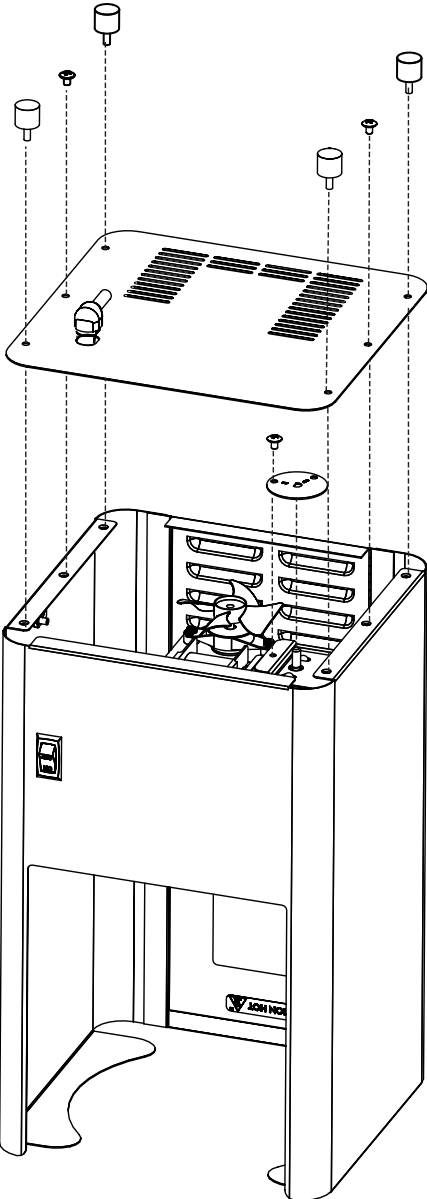




SERVER

SERVE BETTER™

THERMOSTAT LOCK KIT 05601



OLD THERMOSTAT LOCK REMOVAL

- 1 Turn unit off, allow unit to fully cool if unit has been in operation.
- 2 Remove black plastic lid and vessel from unit.
- 3 Turn unit upside down, remove two screws and four feet securing unit bottom closure. Retain feet and screws. Lift off bottom closure.
- 4 Remove screw from thermostat lock. Retain screw. Lift off thermostat lock from shaft and discard.

NEW THERMOSTAT LOCK INSTALLATION

- 1 Place new thermostat lock on shaft.
- 2 Secure thermostat lock with retained screw using the 200 degree setting.
- 3 Replace bottom closure and secure with retained two screws and four feet.