

WATER VESSEL REPLACEMENT

1 TURN UNIT OFF AND UNPLUG CORD.

Allow unit to fully cool before proceeding to next step.

2 EMPTY ANY CONTENT FROM VESSEL(S).

Remove all accessories from unit.

3 TURN UNIT UPSIDE DOWN, remove four screws from the bottom of base and remove the base.

4 TAKE OFF BOTTOM PANEL, by removing four screws and nuts.

5 CUT WIRE TIE FROM BUNDLE.

6 REMOVE WIRE FROM THERMOSTAT THAT CONNECTS TO SWITCH.

Note: On units prior to 08L, remove and replace existing cut-out with 11447 wire assembly.

7 REMOVE GROUND WIRE FROM VESSEL.

8 REMOVE WIRE NUTS WHICH CONNECT HEATING ELEMENT LEADS.

9 LIFT OUT VESSEL FROM BASE. Note: The top of the vessels have a silicone bead which will need to be released to remove from base.

10 PLACE NEW VESSEL INTO BASE.

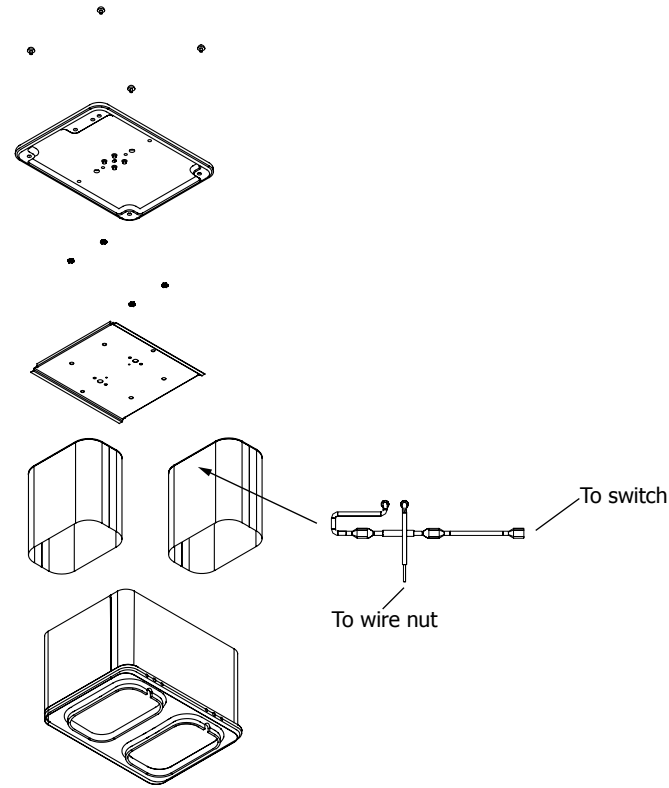
11 ATTACH GROUND WIRE TO VESSEL.

12 CONNECT THERMAL CUT-OUT WIRE TO THERMOSTAT.

13 SECURE WIRES WITH A WIRE TIE.

14 ATTACH BOTTOM PANEL, with four screws and nuts.

15 INSTALL BASE TO BOTTOM PANEL, with four screws.



S E R V E R

Vessel Replacement Kit

Stock No.

85925 EZ Topper Short
85926 EZ Topper Tall

KIT #85925 INCLUDES

PART#	DESCRIPTION
85809	Vessel Assembly, 7"
11447	Wire Assembly

KIT #85926 INCLUDES

PART#	DESCRIPTION
85816	Vessel Assembly, 10"
11447	Wire Assembly

WIRING DIAGRAMS

1 Cord Assembly

A White
B Black
C Green

2 Bushing, Strain Relief, Right Angle Heyco

3 Wire Nut

4 Food Vessel, 2 Heating Elements

5 Heater Block Assembly

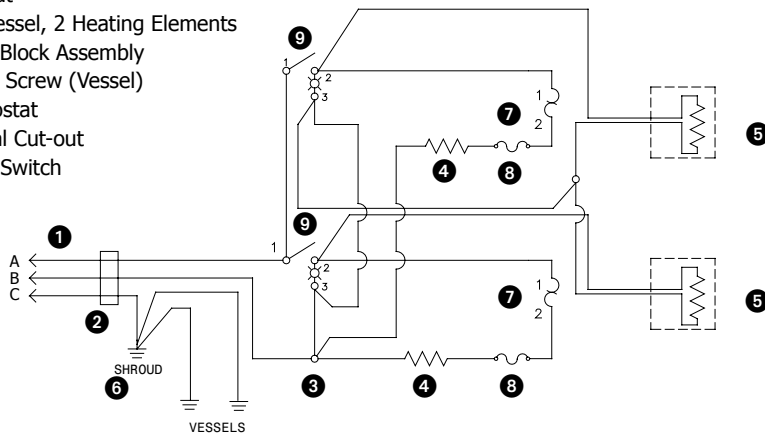
6 Ground Screw (Vessel)

7 Thermostat

8 Thermal Cut-out

9 Rocker Switch

SERIES 08L



SERIES PRIOR TO 08L

