



SERVER

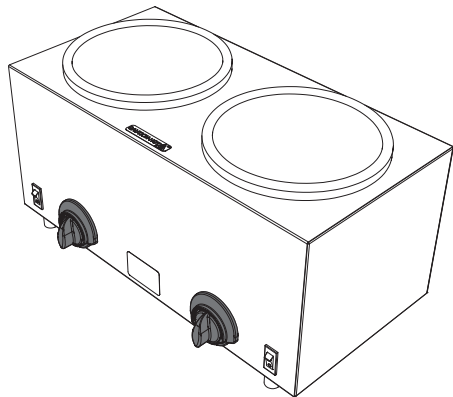
Server Products Inc.  
3601 Pleasant Hill Road  
Richfield, WI 53076 USA

262.628.5600 | 800.558.8722

SPSALES@SERVER-PRODUCTS.COM

# 84830

Base Only  
Twin FS/FSP  
230V UK  
Series 13C



Complete View  
for Reference

PART	QTY	DESCRIPTION
81116	2	4 QT WATER ASSEMBLY VESSEL
81298	2	HEATING ELEMENT
81236	2	THERMAL CUT-OUT, 167°-169°C
81177	2	HEATER PLATE BAND
11207	1	BUSHING, 9/16 HOLE
81223	1	SHROUD ASSEMBLY
86934	2	SNAP-IN ROCKER SWITCH, 250V
04099	2	ROCKER SWITCH COVER
100003	2	REPLACEMENT THERMOSTAT
81296	2	TEMP INDICATOR PLATE
81271	2	THERMOSTAT KNOB
11296	1	CORD ASSEMBLY (UK)
11197	1	BUSHING, STRAIN RELIEF
81058	4	FOOT WITH SCREW
81237	1	BOTTOM CLOSER

