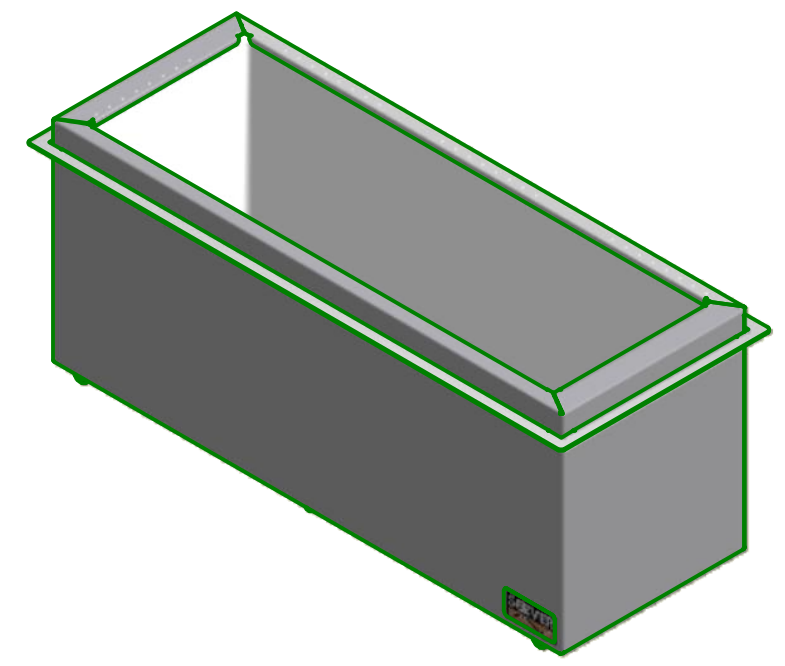


81169 (4)



APPD BY		MATERIAL:	
CKD BY		TOLERANCES UNLESS OTHERWISE SPECIFIED	#
DRAWN BY	DCK	FRAC ± 1/64 DEC .00=± .01 .000=± .005 ANG ± 1°	§
DATE	08/12/98	Server Products, Inc RICHFIELD, WI 53076 USA 800-558-8722	
SCALE	FULL	PART NAME	SIZE DWG NO.
		INSUL RELISH SERV 3 PAN DROP-IN NL	B 67790