

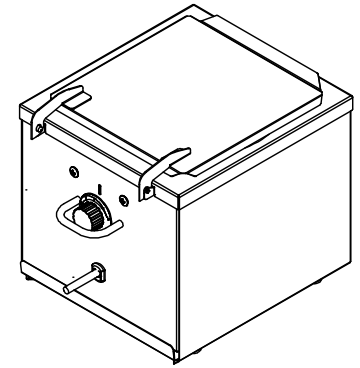
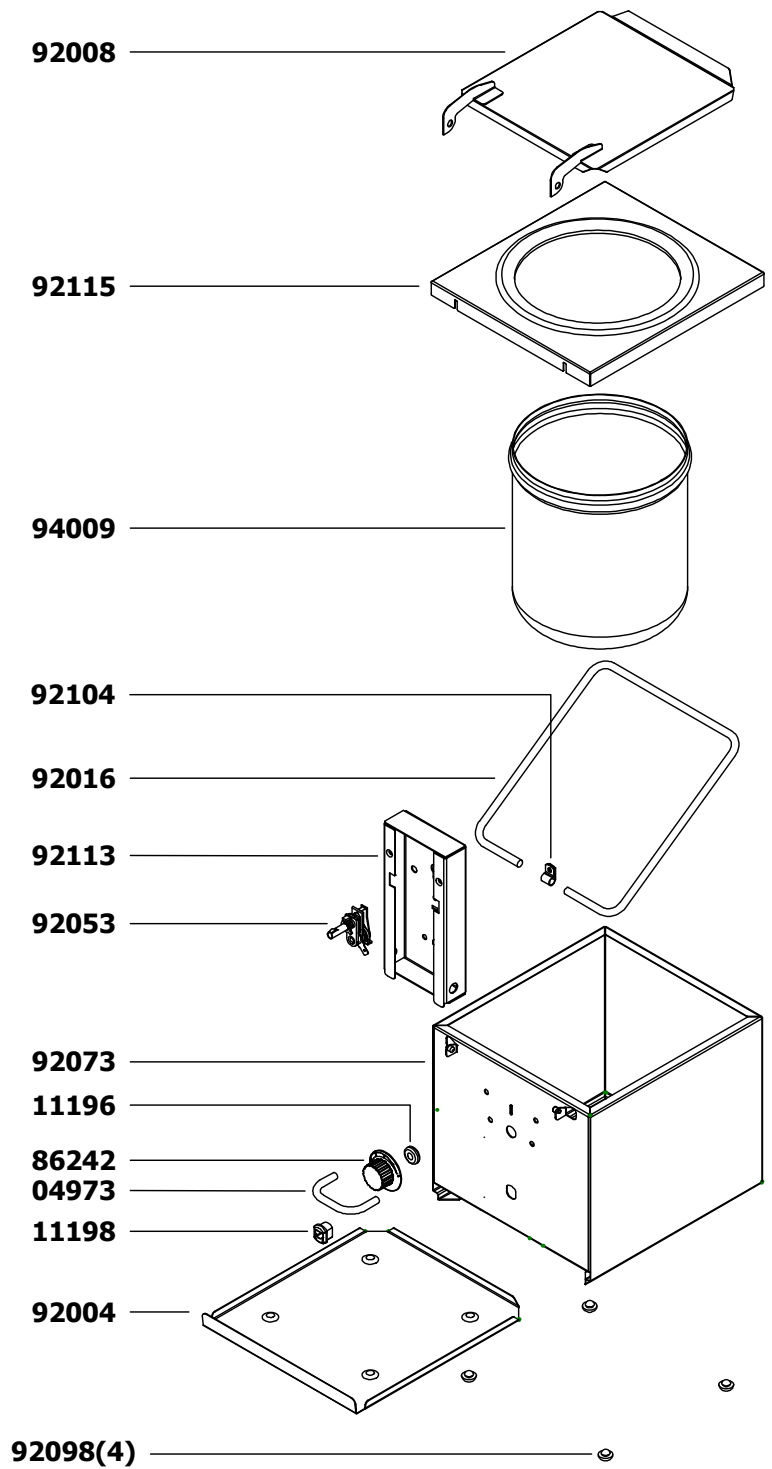


SERVER

Server Products, Inc.
3601 Pleasant Hill Road PO Box 98
Richfield WI 53076 USA
Direct | 262.628.5600 Toll Free | 800.558.8722
www.server-products.com

Model Name	SINGLE DIP SERVER DI-1 (230V)
Model Number	92010

Dwg. Date
07/03/13



FINAL & CORD TABULATION

COUNTRY	FINAL	CORD
CONT EURO	92010	11264
AUST	92070	11266
UK	92230	11291

PART	QTY	DESCRIPTION
04973	1	GUARD, KNOB
11196	1	GROMMET, 1/4, RUBBER
11198	1	BUSHING, STRAIN RELIEF
11264	1	CORD ASSEMBLY (CONT EUROPE)
86242	1	KNOB, THERMOSTAT
92004	1	BOTTOM, REMOVABLE
92008	1	LID ASSEMBLY
92016	1	ELEMENT, HEATING, 230V 100W
92053	1	THERMOSTAT, 38C
92073	1	BODY ASSEMBLY
92098	4	FOOT, RUBBER, BUTTON
92104	1	CLAMP, GROUND
92113	1	GUARD, WIRE
92115	1	TOP, DI-1
94009	1	JAR, STNLS