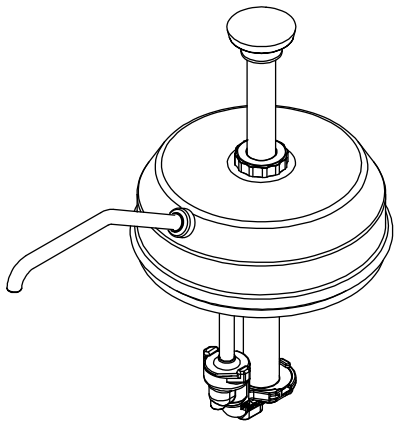


81320 Food Server Pump



Complete View for Reference

PART	QTY	DESCRIPTION
82023	1	KNOB
82021	1	COLLAR, LOCKING
82022	3	COLLAR, GAGING- .25 OZ REDUCTION
83529	1	COLLAR, GAGING- .125 OZ REDUCTION
82017	1	TUBE, HEAD
82018	1	INSERT, HEAD
82016	1	SPRING, 7"
82015	1	WASHER
100075	1	PISTON/SEAL ASSEMBLY
83003	1	SEAL ASSEMBLY
82061	1	LID, FSP
82485	1	TUBE, DISCHARGE, FSP
05127	1	O-RING, 1"
82336	1	CYLINDER ASSEMBLY
82323	1	O-RING, 1-5/16"
82431	1	BODY, VALVE ASSEMBLY (INCLUDES 82323)
40179	1	LUBRICANT, FOOD EQUIPMENT
82049	1	BRUSH, 11"
82526	1	BRUSH, 21"
82027	1	DISCHARGE TUBE NUT

