



S E R V E R

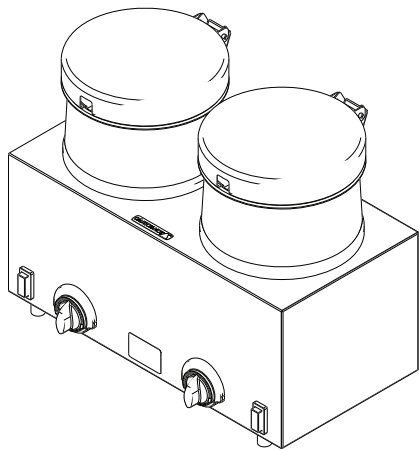
Server Products Inc.
3601 Pleasant Hill Road
Richfield, WI 53076 USA

262.628.5600 | 800.558.8722

SPSALES@SERVER-PRODUCTS.COM

81200

Twin Food Server FS-4 Plus



*Complete View
for Reference*

Lid Assembly
81096 (2)

Inset
81108 (2)

Base Only
80360

