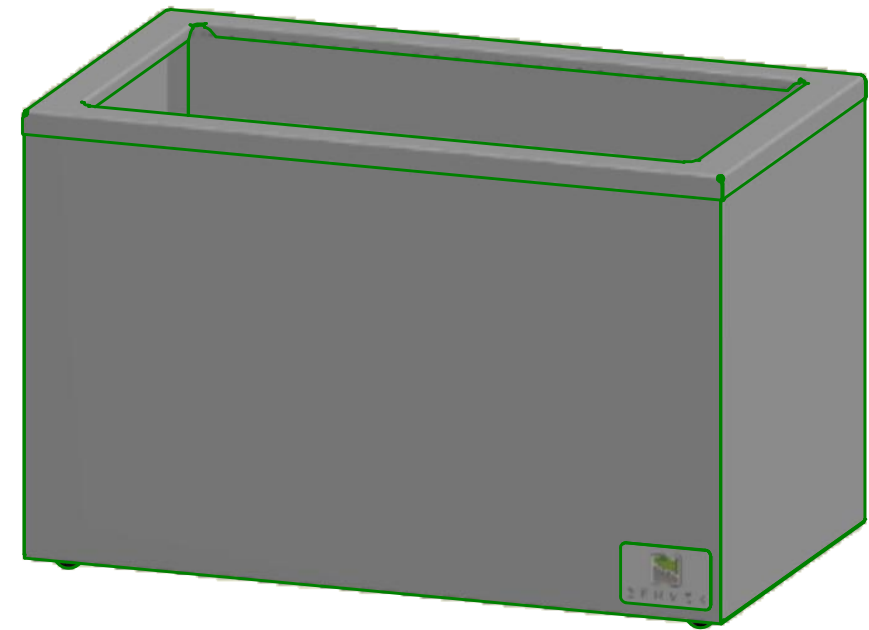


92012 (4)



APPD BY		MATERIAL:	
CKD BY		TOLERANCES UNLESS OTHERWISE SPECIFIED	#
DRAWN BY	DCK	FRAC $\pm 1/64$ DEC $.00=\pm.01$ $.000=\pm.005$ ANG $\pm 1^\circ$	\leq
DATE	11/8/1993	Server Products, Inc RICHFIELD, WI 53076 USA 800-558-8722	
SCALE	FULL	PART NAME	SIZE DWG NO.
		SYRUP RAIL 3 JAR-10"	B 82600