



S E R V E R

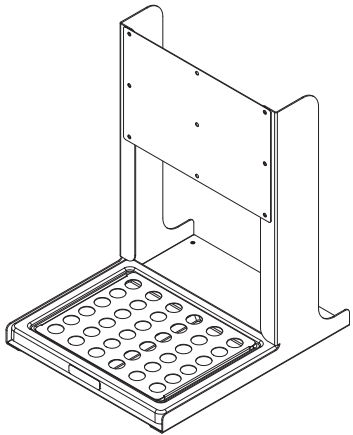
Server Products Inc.
3601 Pleasant Hill Road
Richfield, WI 53076 USA

262.628.5600 | 800.558.8722

SPSALES@SERVER-PRODUCTS.COM

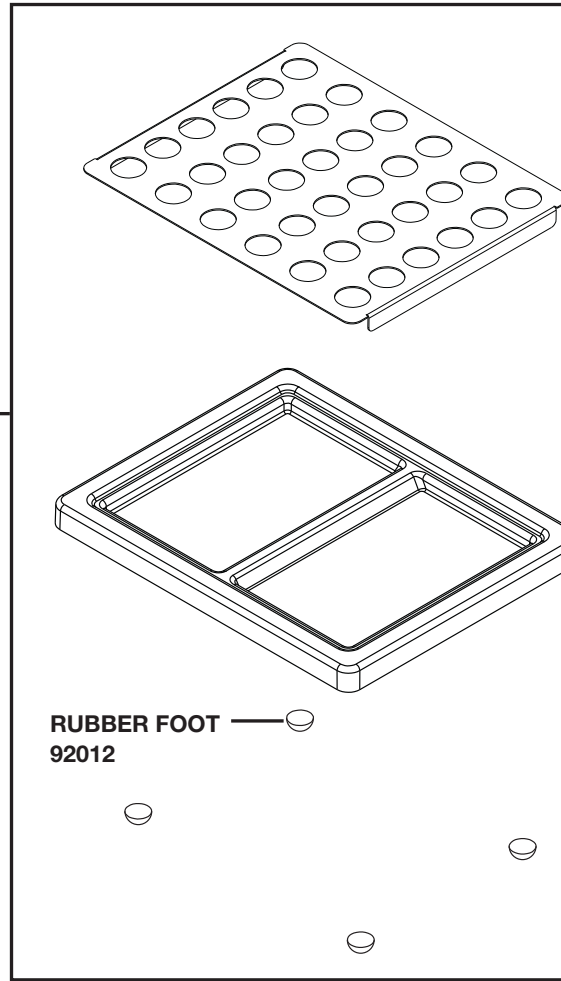
86561

Dry Product Dispenser Double Stand



*Complete View
for Reference*

**DOUBLE
DRIP TRAY
ASSEMBLY
100013**



RUBBER FOOT — 92012

**FOOT w/SCREW
81169**

