



SERVER

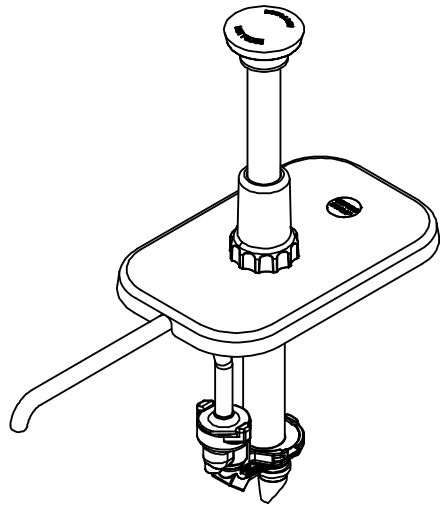
Server Products Inc.
3601 Pleasant Hill Road
Richfield, WI 53076 USA

262.628.5600 | 800.558.8722

SPSALES@SERVER-PRODUCTS.COM

83118

Fountain Pump EZT, Hot Fudge



Complete View
for Reference

| PART | QTY | DESCRIPTION |
|-----------|-----|--|
| 82023-705 | 1 | KNOB, 705, HOT FUDGE |
| 83412 | 1 | LOCKING COLLAR |
| 83529 | 1 | GAGING COLLAR, .125 OZ REDUCTION |
| 82022 | 3 | GAGING COLLAR, .25 OZ REDUCTION |
| 82017 | 1 | HEAD TUBE |
| 82018 | 1 | HEAD INSERT |
| 82016 | 1 | SPRING, 7" |
| 82015 | 1 | WASHER |
| 82013 | 1 | PISTON |
| 83003 | 1 | SEAL ASSEMBLY |
| 83093 | 1 | LID, EZT HOT FUDGE |
| 82362 | 1 | CYLINDER ASSEMBLY |
| 88554 | 1 | SILICONE GASKET |
| 82635 | 1 | BODY VALVE ASSEMBLY (INCLUDES #06022 BALLS) |
| 85827 | 1 | DISCHARGE ASSEMBLY TUBE |
| 05127 | 1 | O-RING, 1" |
| 40179 | 1 | FOOD EQUIPMENT LUBRICANT |
| 82049 | 1 | BRUSH, 11" |
| 82526 | 1 | BRUSH, 21" |

