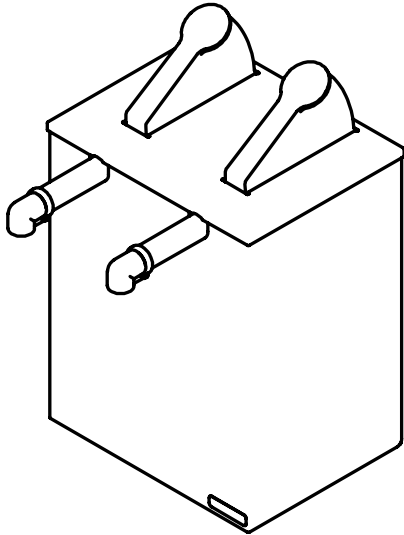


07140 Server Express Twin



Complete View for Reference

LEVER (2)
07014

LID
07341

HINGE PIN (4)
07161

ROLLER (2)
07056

LID
ASSEMBLY
07342

POUCH
SUPPORT (2)
07159

PUMP (2)
07794

REPLACEMENT
SHROUD ASSEMBLY KIT
07343

RUBBER
FOOT (4)
92098

11" BRUSH
82049

