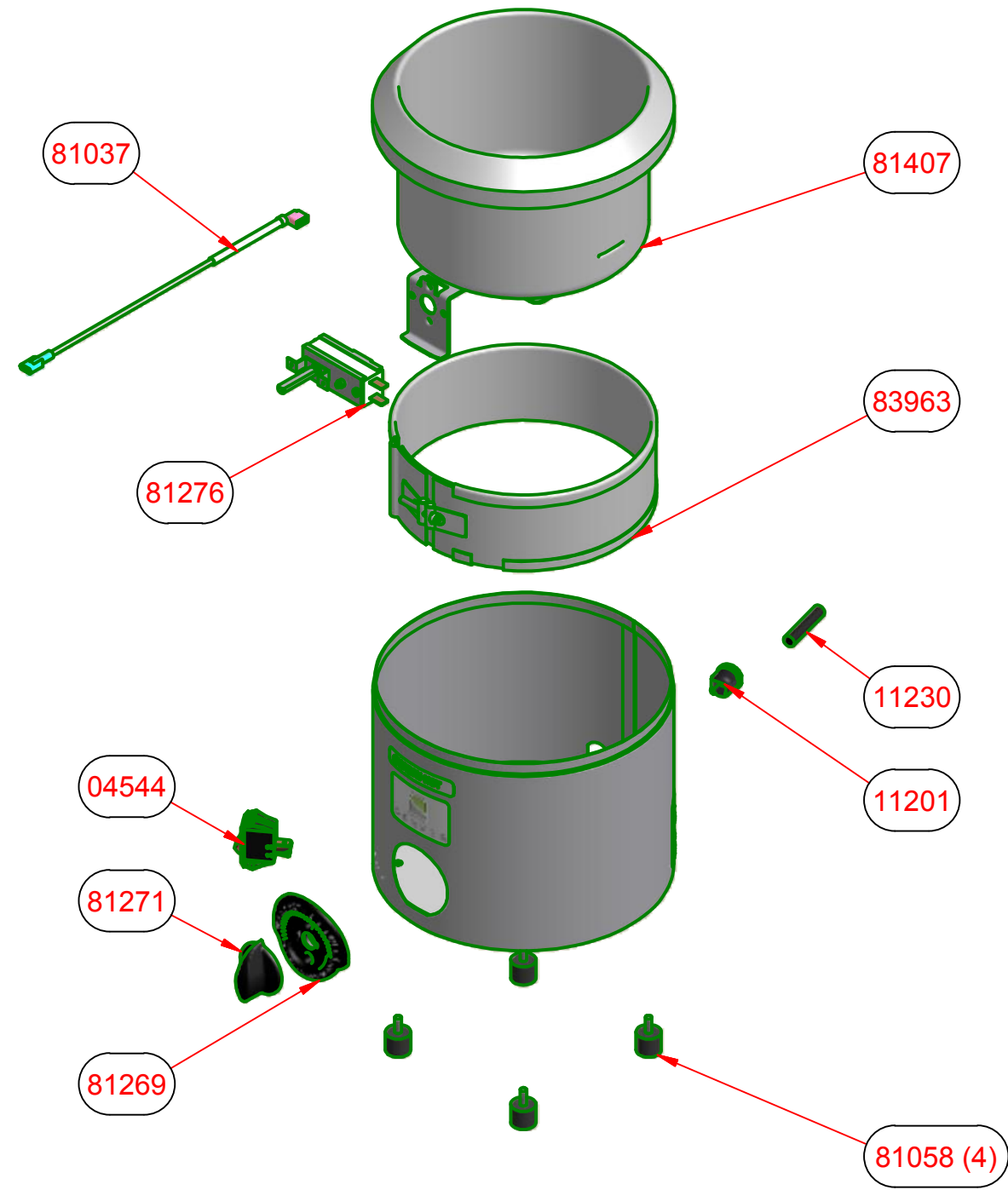
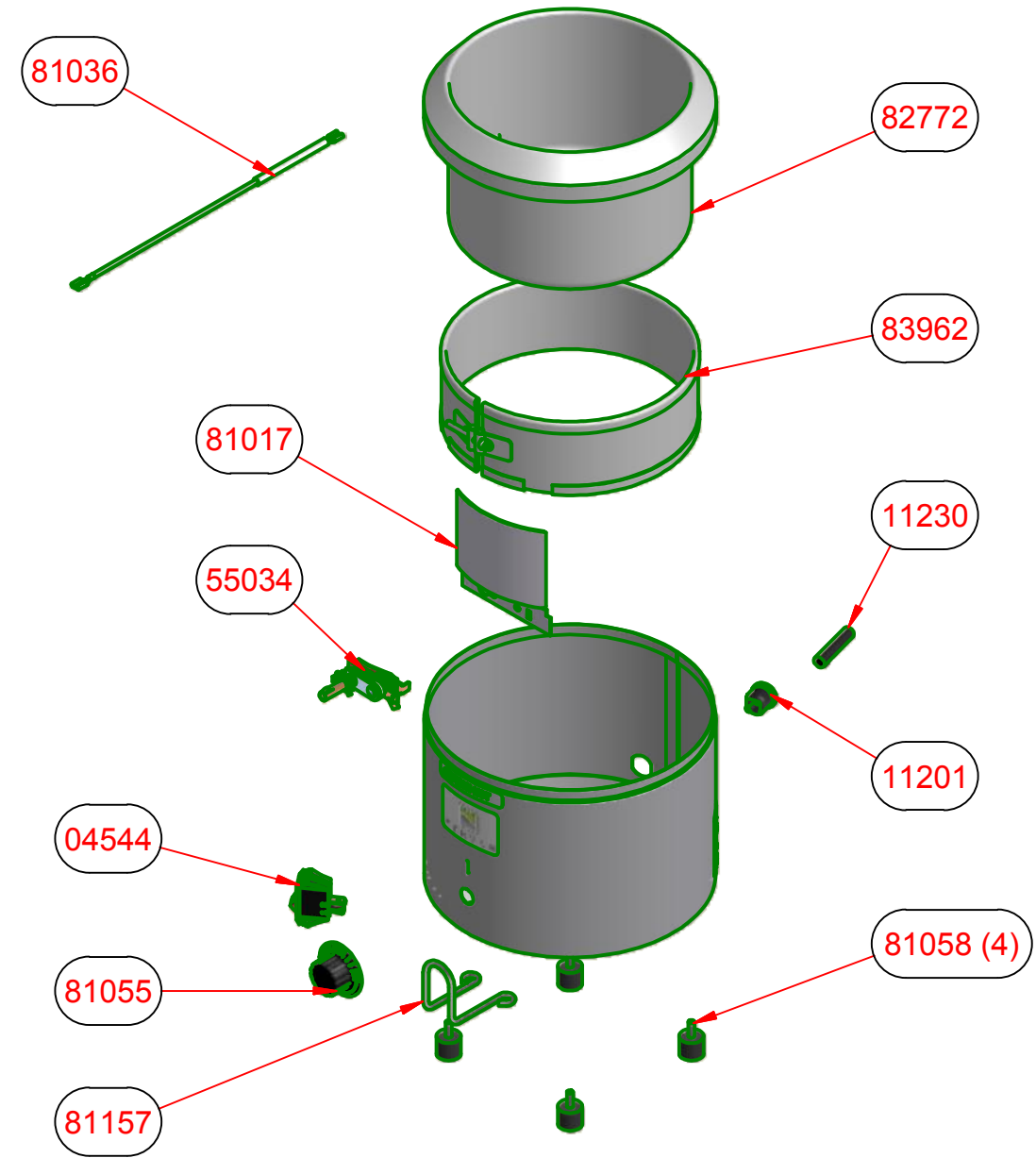


SERIES 13G



SERIES PRIOR TO 13G



APPD BY		MATERIAL:	
CKD BY		TOLERANCES UNLESS OTHERWISE SPECIFIED	#
DRAWN BY	npotvin	FRAC ±1/64 DEC .00=±.01 .000=±.005 ANG ±1°	§
DATE	07/09/93	Server Products, Inc RICHFIELD, WI 53076 USA 800-558-8722	
SCALE	FULL	PART NAME	SIZE DWG NO.
		BASE ONLY FOR FS-2	B 83960