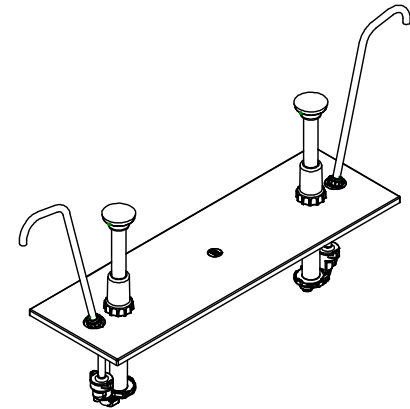
	Server Products, Inc. 3601 Pleasant Hill Road PO Box 98 Richfield WI 53076 USA Direct 262.628.5600 Toll Free 800.558.8722 www.server-products.com
	Model Name <p style="text-align: center;">CONDIMENT PUMP CP-1/2DL, TALL</p>
Model Number <p style="text-align: center;">83447</p>	Dwg. Date 04/09/14



PART	QTY	DESCRIPTION
05127	2	O-RING, 1"
40179	1	LUBRICANT, FOOD EQUIPMENT
82022	6	COLLAR, GAGING-.25 OZ REDUCTION
82027	2	NUT, DISCHARGE TUBE
82049	1	BRUSH, 1 1/4" DIAMETER
82057	2	PLUNGER ASSEMBLY CP-1/6
82013	2	PISTON
82015	2	WASHER
82016	2	SPRING, 7"
82017	2	TUBE, HEAD
82018	2	INSERT, HEAD
82023-000	2	KNOB-000-BLACK
83412	2	COLLAR, LOCKING
82319	2	BODY, VALVE ASSEMBLY
82323	2	O-RING, 1 5/16"
82362	2	CYLINDER ASSEMBLY
82526	1	BRUSH, 21"
83003	2	SEAL ASSEMBLY
83431	2	TUBE, DISCHARGE ASSEMBLY
83446	1	
83529	2	COLLAR, GAGING-.125 OZ REDUCTION