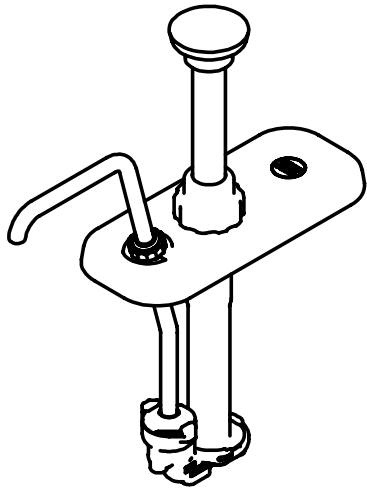


## 85310

### Fountain Pump FP-200V - Narrow



Complete View  
for Reference

