



SERVER

**Server Products Inc.**

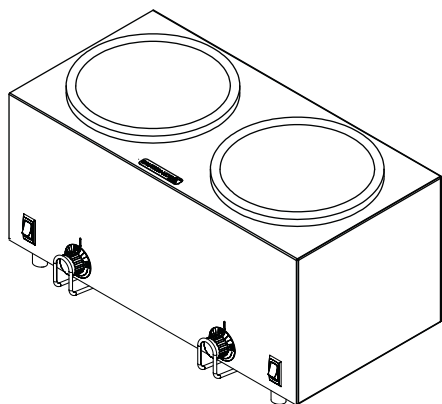
3601 Pleasant Hill Road  
Richfield, WI 53076 USA

262.628.5600 | 800.558.8722

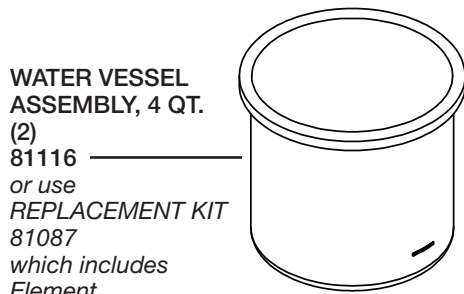
SPSALES@SERVER-PRODUCTS.COM

# 80370

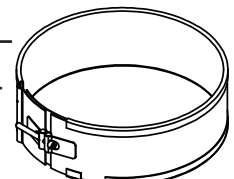
Base Only  
for FS-4, 230V  
Prior to  
SERIES 13C



Complete View  
for Reference



WATER VESSEL  
ASSEMBLY, 4 QT.  
(2)  
81116  
or use  
REPLACEMENT KIT  
81087  
which includes  
Element



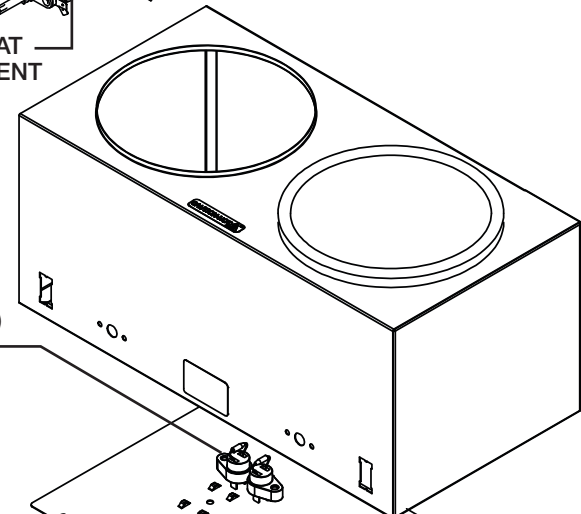
HEATING  
ELEMENT  
REPLACEMENT KIT  
81349



HEATER BAND PLATE (2)  
81177



THERMOSTAT  
REPLACEMENT  
KIT 55224



SWITCH (2)  
04544

KNOB  
GUARD KIT  
(2)  
81157

THERMOSTAT  
KNOB (2)  
81055  
If unit has a  
Celsius label,  
use 05229

THERMAL  
CUT-OUT (2)  
81236  
Prior to  
Series 98F,  
use 81036

CORD  
ASSEMBLY  
11278

BUSHING STRAIN RELIEF, RT ANGLE  
11197  
Prior to Series 98F, use 92068

FOOT w/SCREW  
(4)  
81058