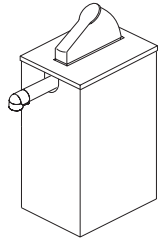
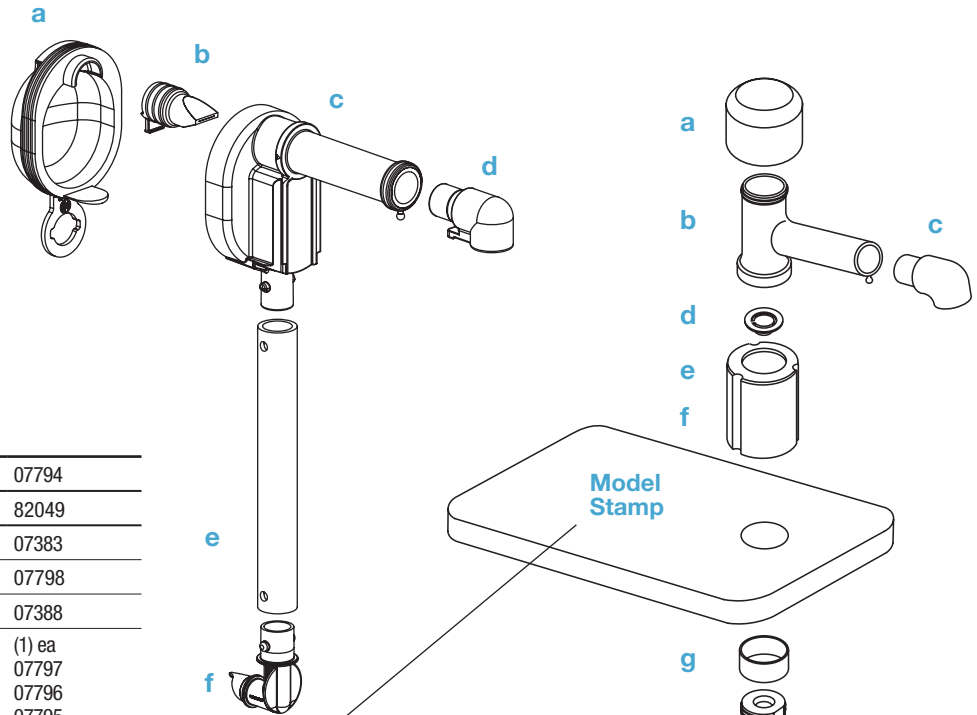


Parts & Price Guide



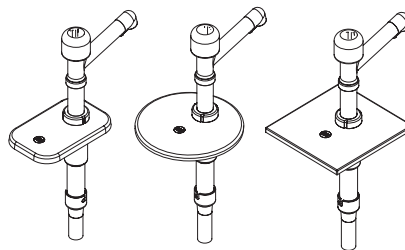
Example Unit



Express™ Style Pumps

Complete Spare/Repl. Pump	07794
Cleaning Brush, 1 1/4" Dia.	82049
a Dome, Black	07383
b Pinch Valve	07798
c Pump Housing	07388
d Discharge Fittings:	(1) ea
.394" (largest opening)	07797
.256" (middle sized opening)	07796
.156" (smallest opening)	07795
e Silicone Tube	07089
f Connector, 16 mm	07381

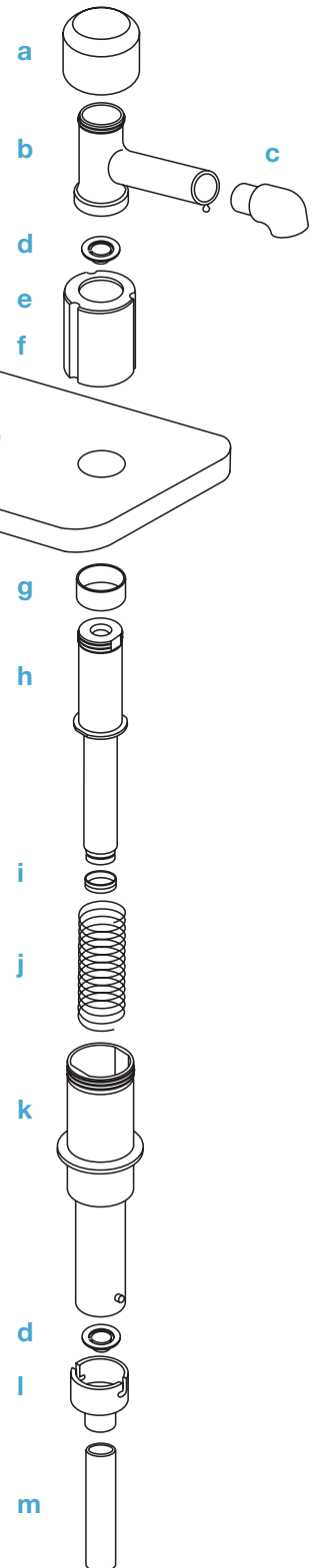
NOTE: reference model and item number, when ordering parts.



Not all pump styles are pictured.

Solution™ Style Pumps

Cleaning Brush, 1 1/4" Dia.	82049	Food Equipment Lubricant, 1/4 oz	40179
Cleaning Brush, 21" Long	82526		
a Knob	85301-600	i Seal	85315
b Discharge Tube	85313	j Spring	85314
c Discharge Fittings:	(1) ea	k Cylinder For All Except:	85307
.394" (largest opening)	85304	83190, 83210, 83340 & 84060	
.256" (middle sized opening)	85302	k Cylinder For:	85308
.156" (smallest opening)	85303	83190, 83210, 83340 & 84060	
d Ball Valves	(2) 85305	l Connector	85306
e Locking Collar For All Except:	85311	m Suction Tube For All Except:	85319
83190, 83210, 83340 & 84060		82020, 83190, 83210 & 83340	
Locking Collar For:	85312		
83190, 83210, 83340 & 84060			
f Lid (See Parts Breakdown at server-products.com)			
g Portion Reduction Collar, 1/4 oz	85316		
h Piston	85309		



Parts & Price Guide

Ordering Information

Server Products equipment is sold through a large network of dealers, with list prices in this book as a reference point. For competitive net pricing, contact your local dealer/distributor or visit server-products.com to locate a dealer.

2-Year Warranty

- Covers defects in materials and workmanship
- Excludes replacement of wear parts like o-rings, seals and springs
- Call 800.558.8722 for a Return Authorization Number
- Repairs are performed at our manufacturing facility in Richfield, WI
- You cover return freight costs to Server Products for evaluation
- If under warranty, your repaired unit is returned at no charge to you via ground
- 48-hour turnaround (from receipt) is common
- Please note: we operate on a five-day work week
- A complete warranty statement is available at server-products.com

Returns for Credit

- Need to occur within 90 days of purchase
- Must be in new and unused condition
- For safety reasons, electrical components (heating elements, thermostats, etc.) are not returnable
- A standard restocking fee of 20% applies
- Call 800.558.8722 for a Return Authorization Number

Return Shipping Information

- Packaging is important – Server is not responsible for equipment damaged in shipping
- To ensure timely processing, please put your RA # on the box and ship to:

C/O Repair Department RA # _____
Server Products, Inc.
3601 Pleasant Hill Road
Richfield, WI 53076

Parts Purchasing

- Please choose carefully. For safety reasons, electrical components are not returnable.
- Purchase through your dealer at a discounted price
- Minimum order is \$15.00 net
- MasterCard, Visa, Discover and American Express are accepted for payment
- Prices are FOB Richfield, WI 53076 – shipping charges not included

Parts Assistance

- Contact our customer service team at: 800.558.8722 (M-F 8:00 am to 4:30 pm CT)
- Please know your Part Number, Model and Series information. It's on the lid for pumps or the bottom of heated and countertop units.