

SERVER

IXD™ SERIES

Single+™

CONDIMENT DISPENSER

SPEC SHEET

FAST FACTS

IXD™ Series SINGLE+™ Condiment Dispenser delivers upon the exclusive Core Four™ Platform - unprecedented speed of service, efficiency, consistency and simplicity. Single product dispensing at the simple touch of a button lets staff easily pivot between multiple units on the line, while guests experience the flavors they love faster and easier every order.

APPLICATIONS

- Front-of-house self-serve condiment station - dispense into portion cup or directly onto menu item
- Back-of-house condiment station for preparing menu items or filling portion cups

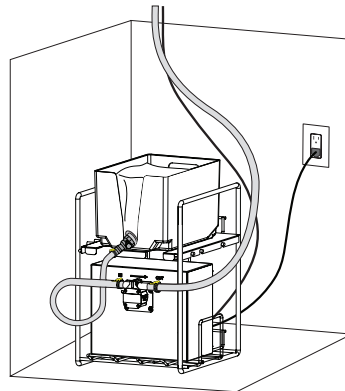
DETAILS

- User friendly interface includes product identification graphic, dispense activation, clean-in-place step prompts and product change-out instructions
- Works with 1.5 gallon pouches with 16mm fitment, 3 gallon pouches with 38mm fitment or product directly poured into a 1.5 gallon enclosed direct pour holding vessel
- The Quick Connect System works with both pouch styles and makes changeouts easy and mess-free
- Push-and-hold button activation is standard but precise portions can be customized for roll outs
- Smartwares® Technology platform enables IoT with Wi-Fi connectivity for real-time monitoring of key performance metrics
- Small countertop footprint with less than 5" of width and less than 9" of depth - only needs 1.5" circumference cut-out hole
- Models available with and without drip tray

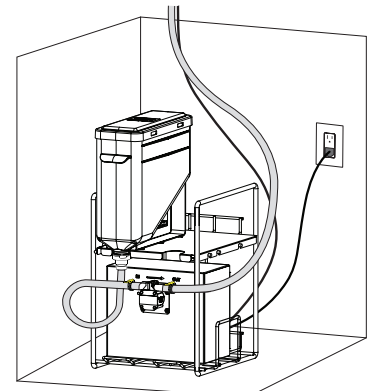


101038 Single+
Above Counter

Patent Pending



101056 Single+
Below Counter
Pouch Model



101317 Single+
Below Counter
Direct Pour Model

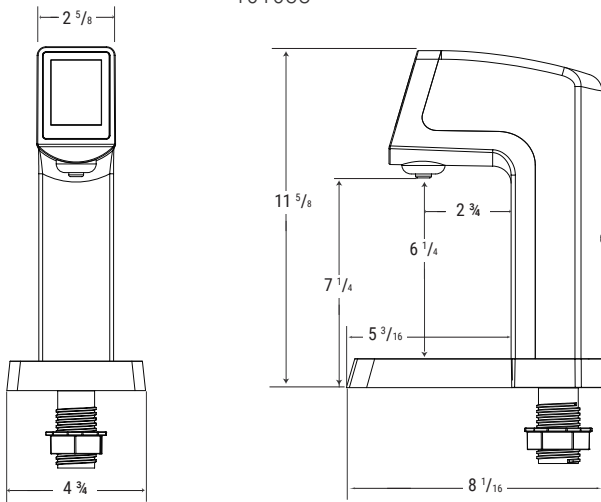
The ultimate complement to your condiments.

SERVER IxD™ SERIES SINGLE+™ CONDIMENT DISPENSER

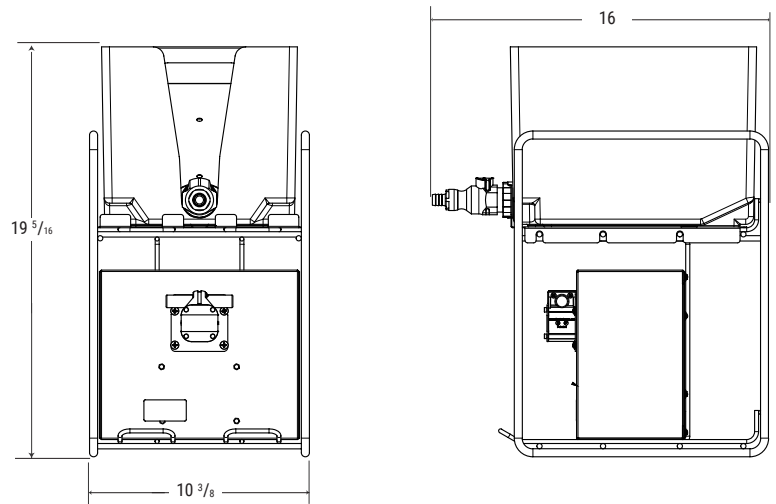
Server IxD™ Series SINGLE+™ Condiment Dispenser delivers speed of service and efficiencies with a user-friendly touch screen activation of a single product stored below the counter. User interface includes low product indicator, makes refilling a breeze and guides associates through clean-in-place cleaning procedure. USA NEMA 5-15P plug, 6' cord, 24 volts, 120 watts (max), 5 amp (max). 1-Year warranty.



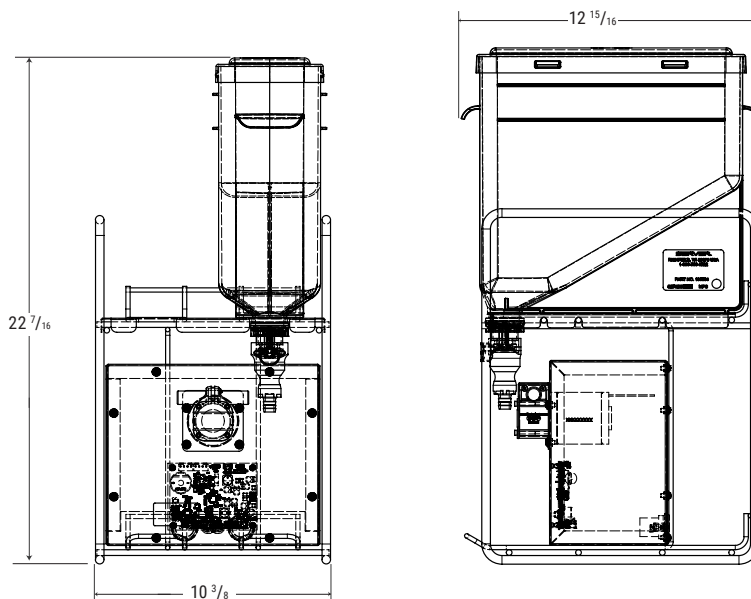
Above Counter with Drip Tray
101038



Below Counter - Pouch Model
101056



Below Counter - Direct Pour Model
101317



Speed. Simplicity. Perfect portions.

SINGLE+™ CONDIMENT DISPENSER

order amt	model/item	description	capacity	dims (H x W x D)	weight	plug	voltage	watts/amps
	101038	Single+™ Condiment Dispenser Dispensing Head Only with Drip Tray Assembly	NA	Above Counter 11 5/8" x 4 3/4" x 8 1/16"	3 lb	USB-C	NA	NA
	101090	Single+™ Condiment Dispenser Dispensing Head Only without Drip Tray Assembly	NA	Above Counter 11 5/8" x 4 3/4" x 6 11/16"	3 lb	USB-C	NA	NA
	101056	Below Counter Set-Up for Fitmented Pouch Model	1.5 or 3 Gallon Fitmented Pouch	Below Counter 19 3/8" x 10 3/8" x 16"	14 lb		24AC	5A (max)
	101317	Below Counter Set-Up for Direct Pour Model	1.5 gallon direct pour vessel	Below Counter 22 7/16" x 10 3/8" x 12 15/16"	14 lb		24AC	5A (max)
	101325	Single+™ Condiment Dispenser with Drip Tray 101038 with 101056 Under Counter Pouch Set-Up	1.5 or 3 Gallon Fitmented Pouch	Above Counter 11 5/8" x 4 11/16" x 8 1/16" Below Counter 19 3/8" x 10 3/8" x 16"	17 lb		24AC	5A (max)
	101324	Single+™ Condiment Dispenser with Drip Tray 101038 with 101317 Under Counter Direct Pour Set-Up	1.5 gallon direct pour vessel	Above Counter 11 5/8" x 4 3/4" x 8 1/16" Below Counter 22 7/16" x 10 3/8" x 12 15/16"	17 lb		24AC	5A (max)
	101888	Single+™ Condiment Dispenser without Drip Tray 101090 with 101056 Under Counter Pouch Set-Up	1.5 or 3 Gallon Fitmented Pouch	Above Counter 11 5/8" x 4 11/16" x 6 11/16" Below Counter 19 3/8" x 10 3/8" x 16"	17 lb		24AC	5A (max)
	101889	Single+™ Condiment Dispenser without Drip Tray 101090 with 101317 Under Counter Direct Pour Set-Up	1.5 gallon direct pour vessel	Above Counter 11 5/8" x 4 3/4" x 6 11/16" Below Counter 22 7/16" x 10 3/8" x 12 15/16"	17 lb		24AC	5A (max)



SERVE EFFICIENTLY WITH THE SERVER IxD™ SERIES SINGLE+™ CONDIMENT DISPENSER.
CONTACT US AT SALESSUPPORT@SERVER-PRODUCTS.COM or 1.800.558.8722