

# Sensible. Indispensable.

## Eco™ Food Container Pumps



Smart alternative to constant costs of disposable bottle pumps

Manage food costs and customer experience with precise, adjustable portions

Stainless steel pump and plastic cylinder are durable for years of service

NSF listed and clean-in-place certified for cleaning without disassembly

**NEW** BP-1 model with ½" discharge tube designed to reduce dispensing force needed for thick, crafted ingredients



BP-1/4  
88180



BP-1/2  
88190



BP-1 Thick  
88220



BP-1  
88000



BP-1 110 mm  
88010



BP-1 Crock  
88020

### FAST FACTS

- Various models fit standard-sized food containers such as 1 L bottles, 1 gal jugs & salad crocks
- BP-1/2 & BP-1/4 have fixed portions; BP-1 serves max 1 oz portion adjusts in 1/8 oz increments
- Trim pick-up tube to fit containers

### APPLICATIONS

- Smooth ingredients such as ketchup, hot sauce, drink syrups and concentrates

# Economically sound.

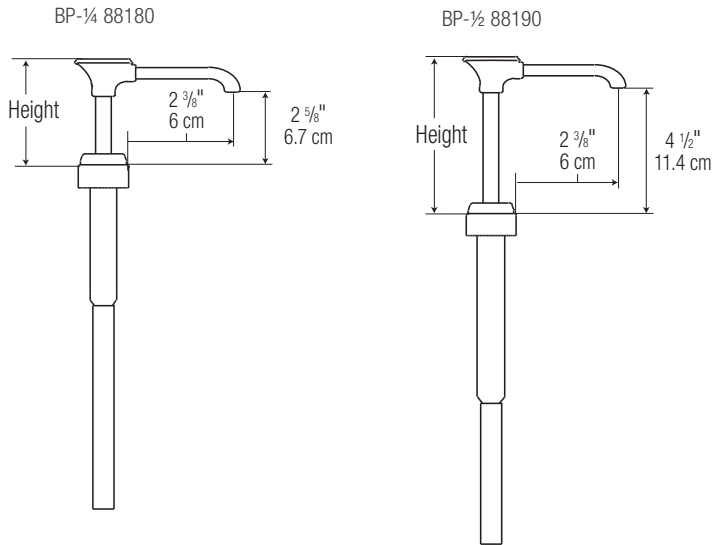
## Eco™ Pumps

Models BP-1/2 & BP-1/4

### SPECIFIER STATEMENT

**88180 | 88190:** Server Products Eco™ Pump models BP-1/2 and BP-1/4 are constructed of a stainless steel pump head assembly and plastic cylinder, and are designed to dispense smooth products directly from containers as short as 7" (17.8 cm) with a 28 mm opening. BP-1/2 dispenses a 1/2 oz (15 mL) fixed portion, and BP-1/4 dispenses a 1/4 oz (7 mL). NSF listed, clean-in-place certified and BPA Free. Two-year warranty. Ships FOB Richfield, WI 53076.

DISPENSES	<b>THIN</b> fountain syrups • oils • hot sauce
	<b>THICK</b> ketchup • mustard • mayonnaise • bbq
	<b>THICKER</b> tartar sauce • crafted sauces
APP	<b>AMBIENT</b>
	<b>COLD</b>
	<b>HOT</b>



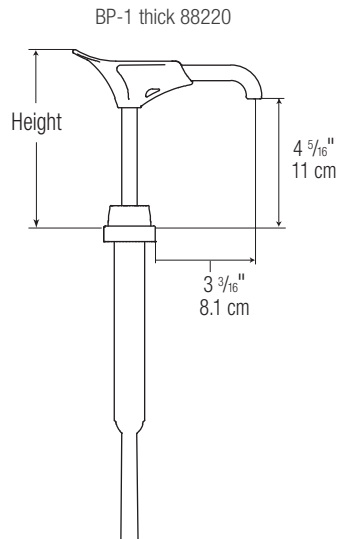
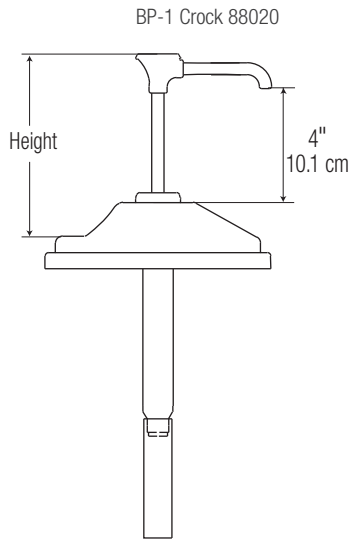
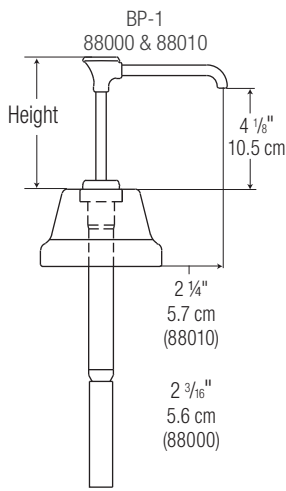
order quantity	dispenses	model/item	application	description	full portion	height above jar	weight
<input type="checkbox"/>		BP-1/2 88190		bottle, 28 mm threads	1/2 oz, fixed 15 mL	5 9/16" 14.1 cm	2 lb .9 kg
<input type="checkbox"/>		BP-1/4 88180			1/4 oz, fixed 7 mL	3 11/16" 9.4 cm	

# Environmentally friendly.

## Eco™ Pumps Models BP-1

### SPECIFIER STATEMENT

**88000 | 88010 | 88020 | 88220:** Server Products Eco™ Pump model BP-1 is constructed of a stainless steel pump head assembly and plastic cylinder. BP-1 88000 and BP-1, Thick 88220 are designed to dispense directly from containers as short as 7" (17.8 cm) with a 38 mm thread, and BP-1, Thick 88220 works with containers as tall as 12" (30.5 cm). BP 110 mm 88010 accepts 96 oz squat jars with 110 mm thread. BP-1 Crock 88020 accepts a 2.7 qt (2.6 L) salad crock. Max 1 oz (30 mL) portion can be reduced in 1/8 oz (3.7 mL) increments. NSF listed, clean-in-place certified and BPA Free. Two-year warranty. Ships FOB Richfield, WI 53076.



DISPENSES	<b>THIN</b> fountain syrups • oils • hot sauce
	<b>THICK</b> ketchup • mustard • mayonnaise • bbq
	<b>THICKER</b> tartar sauce • crafted sauces
APP	<b>AMBIENT</b>
	<b>COLD</b>
	<b>HOT</b>

order quantity	dispenses	model/item	application	pump/cap fit (jar not included)	full portion	height above jar	weight
<input type="checkbox"/>		BP-1 88000		bottle, 38 mm threads	1 oz 30 mL	5 1/4" 13.3 cm	2 lb .9 kg
<input type="checkbox"/>		BP-1, thick 88220				5 7/8" 11.9 cm	
<input type="checkbox"/>		BP-1 110 mm 88010		96 oz squat jar, 4 7/16" (110 mm) threads		5 1/4" 13.3 cm	2 lb .9 kg
<input type="checkbox"/>		BP-1 Crock 88020		2.7 qt salad crock, clear lid		6 3/4" 17.1 cm	

# Purposefully made to last.

## Accessory Items

### 1 LITER BOTTLE

Perfect for house-made ingredients and beverage add-ins, the (88471) 1 L bottle is dishwasher safe, NSF-listed and pairs with a BP-1 88000 or BP-1, Thick 88220. Includes a storage cap!



### INTEGRATE YOUR ECO™ PUMPS INTO A STATION

Add BP-1/9 model syrup pumps to your Mini Station to dispense ¼ oz portions of smooth ingredients like drink syrups, hot sauces and more! BP Syrup-1/9 fits a 1/9-size jar, 6" deep. See our Mini Station Creation sheet [02071](#) for more information!



### WIRESWIS™ ORGANIZERS

Save space with tiered organizers – use Eco™ Pumps to dispense from (3) 1 L bottles, 1 gal jugs or 64 oz jugs in a space less than 7" wide.