



S E R V E R

SERVE BETTER™

GHIRARDELLI'S MAXIMO SAUCE DISPENSING SYSTEM



88369 CHOCOLATE



88371 CARMEL



88381 WHITE CHOCOLATE



89235 VANILLA



89244 SEA SALT CARMEL

DESCRIPTION

The Ghirardelli Maximo System conveniently dispenses premium Ghirardelli chocolate, caramel, white chocolate, vanilla and sea salt caramel sauces from 64 fl oz pouches. The use of pouches allows for up to 98% product evacuation and reduces landfill waste by 97%. The pumps and bases are reusable, dishwasher safe, BPA free and NSF listed. Each Maximo unit comes with a Ghirardelli pouch scraper to maximize sauce evacuation. Pumps are preset to a precise 1/2 oz. portion and can be reduced by 1/8 oz increments with supplied gauging collars.

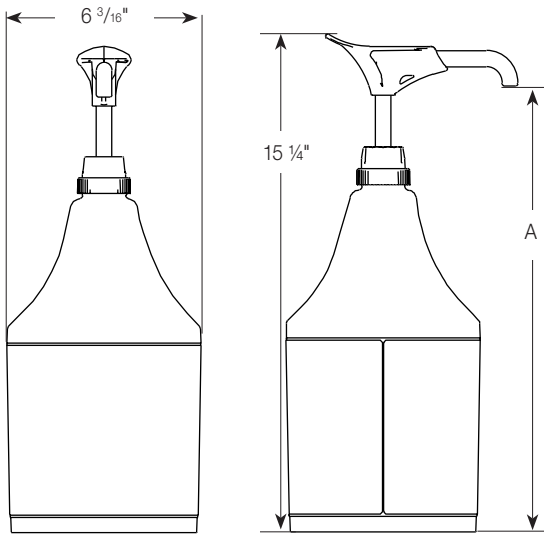
STANDARD FEATURES

- Reusable pump with piercing tip engages with Ghirardelli 64 fl oz sauce pouches
- Pumps are preset to a 1/2 oz portion and can be reduced by 1/8 oz increments with supplied gauging collars
- Pump breaks down completely for hand wash cleaning or can be cleaned in place
- Base is designed for merchandising and product identification
- BPA free, NSF listed, 2 year warranty



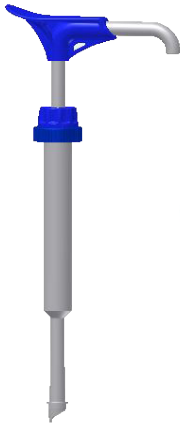
SPECIFICATIONS ON REVERSE SIDE

MAXIMO SAUCE DISPENSERS



| MAXIMO UNIT | CAPACITY | HEIGHT | WIDTH | A |
|-----------------------------|-------------------------|---------|---------|-----------|
| 88371 CAMEL | (1) 64 fl. oz. pouch | 15 1/4" | 6 3/16" | 13 11/16" |
| 88369 CHOCOLATE | | | | |
| 88381 WHITE CHOCOLATE | | | | |
| 89235 VANILLA | | | | |
| 89244 SEA SALT CAMEL | | | | |

FOB RICHFIELD, WISCONSIN 53076



88388 - PUMP ONLY



**GHIRARDELLI POUCH
SCRAPER (INCLUDED)**



Besides the pump and base, includes (2) cleaning brushes, pouch scraper, food equipment lubricant, spring for pump, (2) gauging collars and manual with parts breakdown sheet