






## 2 OZ PUMPS: STAINLESS STEEL

Models CP-8½ 2 OZ, CP-10½ 2 OZ, CP-200 2 OZ, CP-F 2 OZ,  
CP-1/6 2 OZ, CP-1/3 2 OZ, FP-V 2 OZ & FP-200V 2 OZ


### WHAT DO YOU DISPENSE?

-  **THIN** • fountain syrups • liqueur • hot or soy sauce
-  **THICK** • ketchup • mustard • mayo • bbq sauce
-  **PARTICULATES** • tartar sauce • Thousand Island




 **CP-8½ 2 OZ 87620**  
(Inset sold separately)



 **CP-200 2 OZ 87610**



 **FP-V 2 OZ 87650**

### BID DESCRIPTION

Server Products 2 oz pumps dispense from a variety of food containers (sold separately). Each stainless steel pump is constructed with a cast valve body featuring captured balls to prevent loss. Pump comes with ½ oz and ¼ oz portion reduction gauging collars. Pump knob can be colored and engraved to label contents; black is standard.

CP-8½ 2 OZ model pump dispenses from a 7 qt (6.6 L) vegetable inset. CP-10½ 2 OZ model pump dispenses from an 11 qt (10.4 L) vegetable inset. CP-1/6 2 OZ model pump dispenses from a 1/6-size steam table pan, 6" (150 mm) deep. CP-1/3 2 OZ model pump dispenses from a 1/3-size steam table pan, 6" (150 mm) deep. CP-200 2 OZ and FP-200V 2 OZ models dispense from a 7½" (19 cm) fountain jar. CP-F 2 OZ and FP-V 2 OZ models dispense from a 10" (25.4 cm) fountain jar.

### STANDARD FEATURES

- Stainless steel construction
- 2 oz (60 mL) maximum portion - Includes ½ oz and ¼ oz portion reduction gauging collars
- Colored, engraved knob is available upon request

### ACCESSORY ITEMS

- Fountain Jar, Plastic, White, 7½" (19 cm) 82558
- Fountain Jar, Plastic, White, 10" (25.4 cm) 82557
- Fountain Jar, Plastic, Black, 7½" (19 cm) 83147
- Fountain Jar, Plastic, Black, 10" (25.4 cm) 83149
- Fountain Jar, Plastic, Orange, 7½" (19 cm) 83148
- Fountain Jar, Plastic, Orange, 10" (25.4 cm) 83156
- 8½" (21.6 cm), 7 qt (6.6 L) Vegetable Inset 84031
- 10½" (26.7 cm), 11 qt (10.4 L) Vegetable Inset 84131
- 1/6-Size Steam Table Pan, 6" (150 mm) Deep 90089
- 1/3-Size Steam Table Pan, 6" (150 mm) Deep 90083

### TWO YEAR WARRANTY

Server Products equipment is backed by a two-year limited warranty against defects in materials and workmanship. For a copy of our complete warranty statement, visit [server-products.com](http://server-products.com).

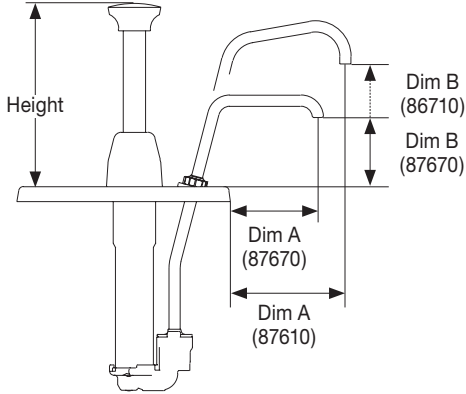
SPECIFICATIONS ON REVERSE SIDE



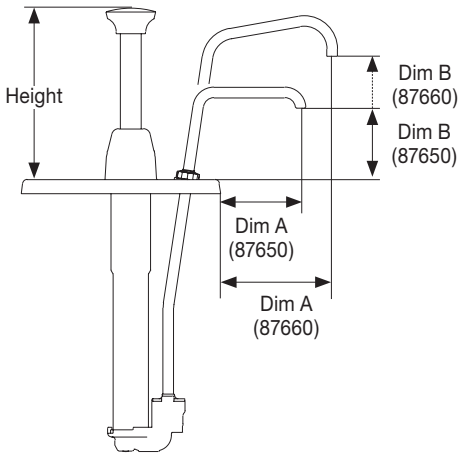
## 2 OZ PUMPS: STAINLESS STEEL

Models CP-8½ 2 OZ, CP-10½ 2 OZ, CP-200 2 OZ, CP-F 2 OZ,  
CP-1/6 2 OZ, CP-1/3 2 OZ, FP-V 2 OZ & FP-200V 2 OZ

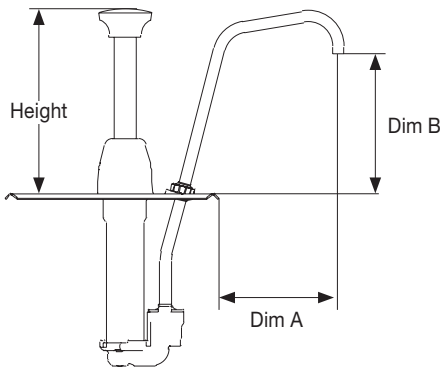
CP-200 2 OZ 86710 & FP-200V 2 OZ 87670











CP-F 2 OZ 87660 & FP-V 2 OZ 87650



CP-1/6 2 OZ 87630 & CP-1/3 2 OZ 87640



FOOD KEY				
MODEL	CP-200 2OZ 87610	FP-200V 2OZ 87670	CP-F 2OZ 87660	FP-V 2OZ 87650
Jar Used	Shallow 82558	Shallow 82558	Deep 82557	Deep 82557
Full Portion	2 oz 60 mL	2 oz 60 mL	2 oz 60 mL	2 oz 60 mL
Height	6 1/8" 15.6 cm	6 1/8" 15.6 cm	6 1/8" 15.6 cm	6 1/8" 15.6 cm
Dim. A	3 7/8" 9.8 cm	2 7/8" 7.3 cm	3 7/8" 9.8 cm	2 7/8" 7.3 cm
Dim. B	4 19/32" 11.7 cm	2 13/16" 7.1 cm	4 1/2" 11.4 cm	3 1/16" 7.8 cm
Weight	3 lb (1.4 kg)			
Cutout Size	4 5/16" x 7" (11 x 17.8 cm)			
Dimensions (above jar)	4 1/2" (11.4 cm) Wide x 7 1/8" (18.1 cm) Deep			
Capacity	Fountain jar, 10" (15.2 cm) deep holds 3½ qt (3.3 L); 7½" (19 cm) jar holds 2 qt (1.9 L).			

FOOD KEY				
MODEL	CP-8½ 2OZ 87620	CP-1/6 2OZ 87630	CP-1/3 2OZ 87640	CP-10½ 2OZ 87680
Dispense From	7 qt (6.6 L) Vegetable Inset 84031	1/6-Size Steam Table Pan, 6" (150 mm) Deep 90089	1/3-Size Steam Table Pan, 6" (150 mm) Deep 90083	11 qt (10.4 L) Vegetable Inset 84131
Full Portion	2 oz 60 mL	2 oz 60 mL	2 oz 60 mL	2 oz 60 mL
Height	6 1/8" 15.6 cm	6 1/8" 15.6 cm	6 1/8" 15.6 cm	6 1/8" 15.6 cm
Dim. A	2 3/4" 7 cm	3 15/16" 10 cm	4" 10.2 cm	2 3/4" 7 cm
Dim. B	3 5/32" 8 cm	4 13/16" 12.2 cm	4 13/16" 12.2 cm	3 5/32" 8 cm
Weight	3 lb (1.4 kg)			

FOB RICHFIELD, WISCONSIN 53076