

Get out all the good.

Stainless Steel Food Container Pumps



Dispense portion-controlled condiments and toppings straight from the original container; models available fit #10 cans, #5 cans and 1 gal (3.8 L) jars

Precise portions control food costs and ensure flavor consistency

3 qt (2.8 L) jar available for house-made sauces – jar opening matches #10 can

Pump knobs can be colored or engraved for easy identification

NSF listed, clean-in-place certified or easily disassemble for cleaning



SP
82000



SP-3
85320



CP-10
83000



CP-3
83020



CP-G 110 mm
83120

See reverse for additional models



Stainless Steel Food Container Pumps
Models SP, SP-3, CP-3, CP-10 & CP-G

FAST FACTS

- Pumps fit #10 cans, #5 cans and 1 gal (3.8 L) jars
- 1 oz (30 mL) max portion reduces in 1/8 oz (3.7 mL) increments

APPLICATIONS

- Serve flavored dessert syrups and condiments like ketchup, mayo and salad dressings straight from their original containers

Purposefully made to last.

Stainless Steel Food Container Pumps

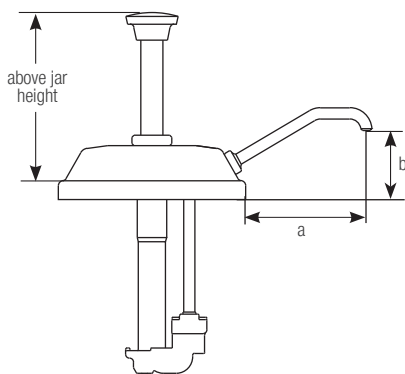
Models SP, SP-3, CP-3, CP-10 & CP-G

DISPENSES	THIN fountain syrups • oils • hot sauce
	THICK ketchup • mustard • mayonnaise • bbq
	THICKER tartar sauce • crafted sauces
APP	AMBIENT
	COLD
	HOT

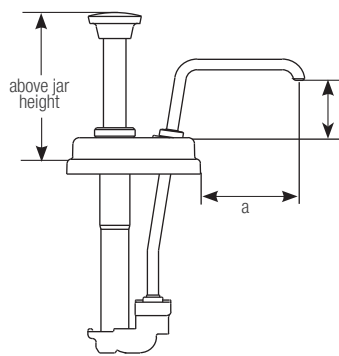
SPECIFIER STATEMENT

82000 | 83000 | 83020 | 83130 | 83120 | 83110 | 85320: Server Products stainless steel food container pump models dispense directly from a manufacturer's food container. SP and CP-10 models dispense from #10 cans or Server's stainless steel jar (94009) (sold separately). The CP-3 and SP-3 dispense from a #5 can. For 1 gallon (3.8 L) jars, use model CP-G with corresponding jar opening size (89, 110 or 120 mm). Pumps dispense 1 oz (30 mL) max portion; adjustable in 1/8 oz (3.7 mL) increments. Two-year warranty. Ships FOB Richfield, WI 53076.

#10 can models



#5 can models



order quantity	dispenses	model/item	application	pump & lid fit	full portion	above jar (H)	dim a	dim b	weight
<input type="checkbox"/>		SP 82000		#10 can or 94009 jar (jar not included)	1 oz	5 9/16"	4 1/8"	1 11/16"	2 lb
<input type="checkbox"/>		CP-10 83000			30 mL	14.1 cm	10.5 cm	4.3 cm	.9 kg
<input type="checkbox"/>		SP-3 85320		#5 can	1 oz	5 5/16"	3 5/16"	2"	3 lb
<input type="checkbox"/>		CP-3 83020			30 mL	13.5 cm	8.4 cm	5.1 cm	1.4 kg
<input type="checkbox"/>		CP-G 89 83130		gallon container, 89 mm threads			3 1/2"	8.9 cm	
<input type="checkbox"/>		CP-G 110 83120		gallon container, 110 mm threads	1 oz	4 3/8"	3 1/4"	2 1/16"	3 lb
<input type="checkbox"/>		CP-G 120 83110		gallon container, 120 mm threads	30 mL	11.1 cm	8.3 cm	5.2 cm	1.4 kg
<input type="checkbox"/>							3 1/16"	7.8 cm	

RELATED ITEMS

94009 Jars

Dispense homemade sauces, condiments and toppings or transfer pouched products for easy dispensing with the 3 qt (2.8 L) jars.



Colored, Engraved Knobs

Interchangeable engraved and colored knobs help staff and patrons identify contents, coordinate with store themes or promote branded products. Specify color and text at time of order – exact shade may vary.

