

Get out all the good.

Stainless Steel Inset Pumps



Top entrees with condiments, sauces and gravies straight from vegetable insets

Precise portions control food costs and ensure flavor consistency

NSF listed, clean-in-place certified or disassemble for cleaning

Pump knobs can be colored or engraved for easy identification

CP-8½ L includes a screw to hold lid to vegetable inset



CP-5
83920

CP-6 ½ 2 oz
87700

CP-8½
83220

CP-8½ L
83910

CP-8½ 2 oz
87620

CP-10½
83240

CP-10½ 2 oz
87680



FAST FACTS

- Pumps fit 2 ½, 4, 7 & 11 qt insets
- 1 oz max portion reduces in 1/8 oz increments; 2 oz pumps include ½ oz and ¼ oz reduction gauging collars

APPLICATIONS

- For heated, ambient or chilled condiments, dressings, savory sauces and dessert toppings

Purposefully made to last.

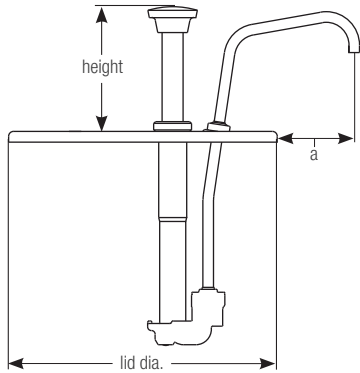
Stainless Steel Inset Pumps

Models CP-5, CP-6 1/2, CP-8 1/2 & CP-10 1/2

DISPENSES	THIN fountain syrups • oils • hot sauce
	THICK ketchup • mustard • mayonnaise • bbq
	THICKER tartar sauce • crafted sauces
APP	AMBIENT
	COLD
	HOT

SPECIFIER STATEMENT

83920 | 83200 | 87700 | 83220 | 83910 | 87620 | 83240 | 87680: Server Products stainless steel inset pump models dispense directly from vegetable insets (sold separately): models available for 2 1/2 qt (2.4 L), 4 qt (3.8 L), 7 qt (6.6 L) and 11 qt (10.4 L) insets. CP-8 1/2 L (83910) includes screw to lock lid to inset. Pumps dispense 1 oz (30 mL) max portion; adjustable in 1/8 oz (3.7 mL) increments. 2 oz pumps have a max 2 oz (60 mL) portion and include 1/2 oz (14.8 mL) and 1/4 oz (7 mL) reduction gauging collars. Two-year warranty. Ships FOB Richfield, WI 53076.



model	cutout diameter
CP-5	5" 12.7 cm
CP-6 1/2	6 1/2" 16.5 cm
CP-8 1/2	8 1/2" 21.6 cm
CP-10 1/2	10 1/2" 26.7 cm

order quantity	dispenses	model/item	application	capacity	lid dia.	height	dim a	full portion	weight
		CP-5 83920		2 1/2 qt 2.4 L	5 5/8" 14.3 cm	4 3/8" 11.1 cm	3 5/8" 9.2 cm	1 oz 30 mL	3 lb 1.4 kg
		CP-6 1/2 83200		4 qt 3.8 L	7 1/2" 19.1 cm	4 3/8" 11.1 cm	2 11/16" 6.8 cm	1 oz 30 mL	3 lb 1.4 kg
		CP-6 1/2 2 oz 87700				6 1/8" 15.6 cm		2 oz 60 mL	4 lb 1.8 kg
		CP-8 1/2 83220		7 qt 6.6 L	9 1/2" 24.1 cm	4 3/8" 11.1 cm	2 3/4" 7 cm	1 oz 30 mL	3 lb 1.4 kg
		CP-8 1/2 L 83910				6 1/8" 15.6 cm		2 oz 60 mL	4 lb 1.8 kg
		CP-8 1/2 2 oz 87620				4 5/8" 9.2 cm		1 oz 30 mL	4 lb 1.8 kg
		CP-10 1/2 83240		11 qt 10.4 L	11 5/16" 28.7 cm	4 5/8" 9.2 cm	2 3/4" 7 cm	1 oz 30 mL	4 lb 1.8 kg
		CP-10 1/2 2 oz 87680				6 1/8" 11.7 cm		2 oz 60 mL	1.8 kg

RELATED ITEMS

Colored, Engraved Knobs

Interchangeable engraved and colored knobs help staff and patrons identify contents, coordinate with store themes or promote branded products. Specify color and text at time of order – exact shade may vary.

