



PUMPS: SOLUTION™, PLASTIC FOUNTAIN JAR PUMPS

Models PS-F & PS-200

WHAT DO YOU DISPENSE?

- THIN** • fountain syrups • liqueur • hot or soy sauce
- THICK** • ketchup • mustard • mayo • bbq sauce
- PARTICULATES** • tartar sauce • Thousand Island



PS-200 84060

BID DESCRIPTION

Server Solution™ pumps are designed to dispense a wide range of products from syrups to some relishes simply by choosing from the (3) discharge fittings (included). Maximum stroke yields 1 ounce (30 mL) with gauging collars supplied to reduce yield in ¼ ounce (7 mL) increments. A pump and jar (jar not included) drop into a countertop or can be placed into a Syrup Rail or insulated Serving Bar.

The PS-F pumps from a standard 10" (25.4 cm) fountain jar. PS-200 pumps from a 7½" (19 cm) fountain jar.

STANDARD FEATURES

- Durable polycarbonate construction
- Dishwasher safe for easy clean up
- Pump a wide range of products from syrups to relish
- Maximum stroke yields 1 ounce (30 mL)
- Easy-to-adjust portion control in ¼ ounce (7 mL) increments
- (3) discharge fittings to accommodate various products

ACCESSORY ITEMS

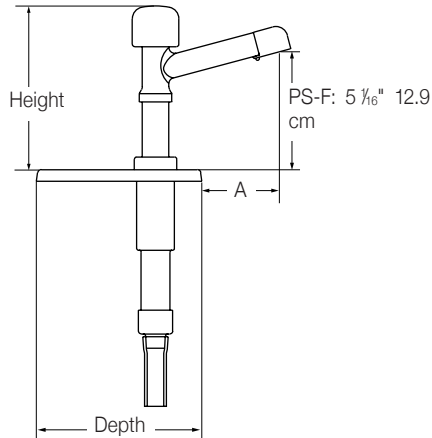
- Fountain Jar, Plastic, White, 7½" (19 cm) 82558
- Fountain Jar, Plastic, White, 10" (25.4 cm) 82557
- Fountain Jar, Plastic, Black, 7½" (19 cm) 83147
- Fountain Jar, Plastic, Black, 10" (25.4 cm) 83149
- Fountain Jar, Plastic, Orange, 7½" (19 cm) 83148
- Fountain Jar, Plastic, Orange, 10" (25.4 cm) 83156



PUMPS: SOLUTION™, PLASTIC FOUNTAIN JAR PUMPS

Models PS-F & PS-200

FOUNTAIN JARS - PS-F AND PS-200



MODELS ☺☹☹☹	PS-F 81910	PS-200 84060
Capacity	3.5 qt 3.3 L	2 qt 1.9 L
Height	7 1/8" 18.1 cm	9 1/8" 23.2 cm
Width	4 1/2" 11.4 cm	4 1/2" 11.4 cm
Depth	7 1/8" 18.1 cm	7 1/8" 18.1 cm
Dim. A	3 3/8" 8.6 cm	3 3/8" 8.6 cm
Cutout Size	4 5/16" x 7" 11 x 17.8 cm	
Weight	2 lb (.9 kg)	

Measurements are shown above jar.